

Installation Guide

Plastic Ball with Rope (SSS-0251)

Part List



X 1

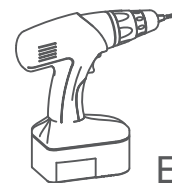
Tools



Gloves



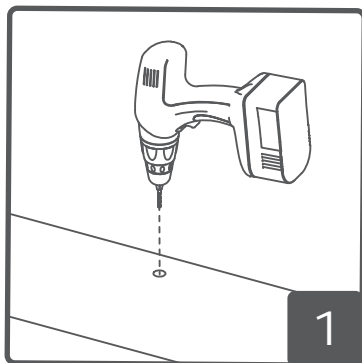
Safety Glasses



Electric drill

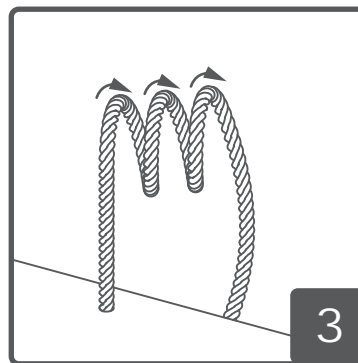


Dia 14 mm
Drill



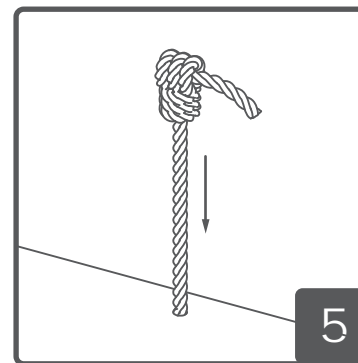
1

Predrill 14mm hole through board.



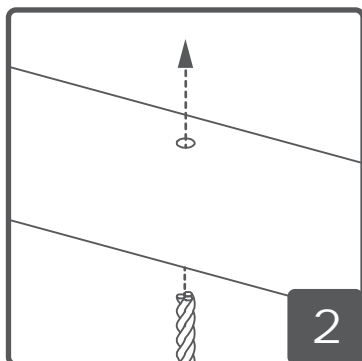
3

Refer to the drawing indication to wind the rope 3 laps.



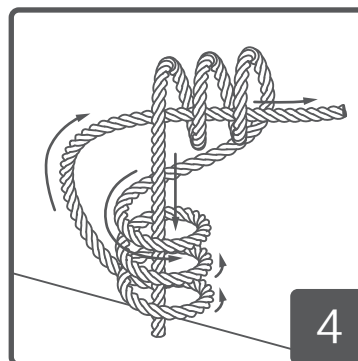
5

Make sure the knot has been tightened.



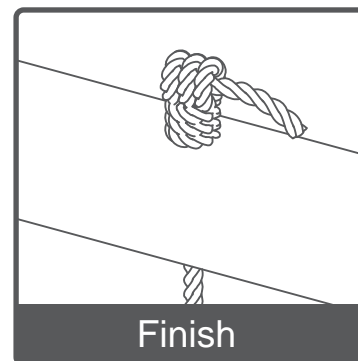
2

Put the rope through the hole.

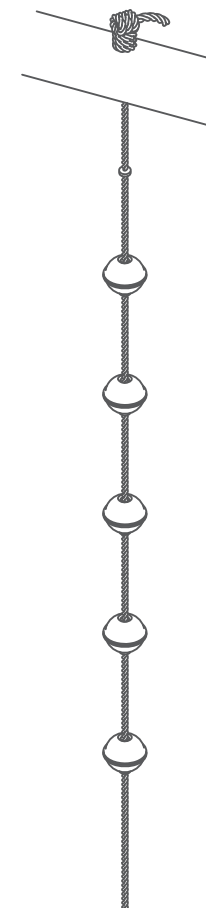


4

Follow up the drawing to tie the knot accordingly.




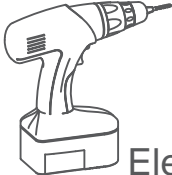

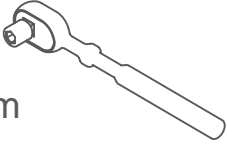
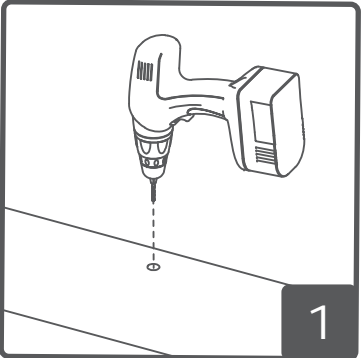
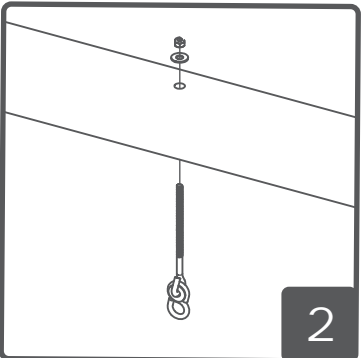
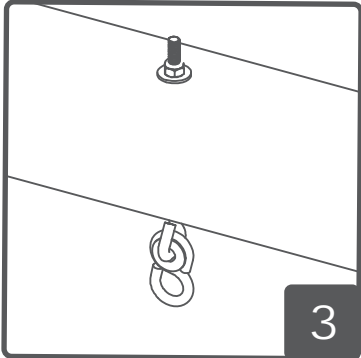
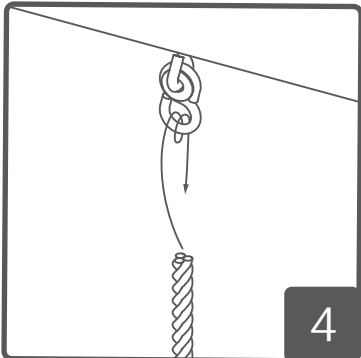
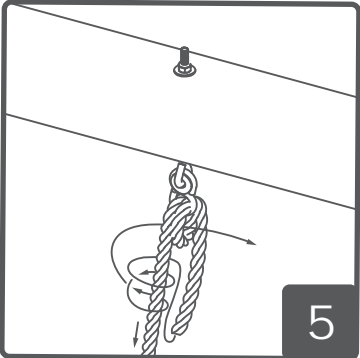

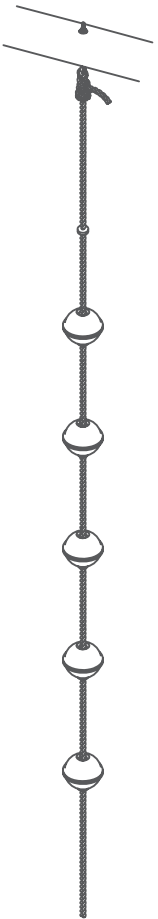
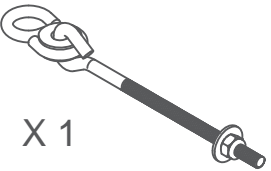
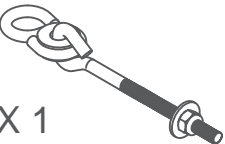


Finish



Finish

Alternative Assembly :

<p>Part List</p> 	<p>Tools</p>      <p>Gloves Safety Glasses Electric drill Dia 10 mm Drill Ratchet</p>			
<p>Recommended accessories</p>	 <p>1 Predrill 10 mm hole through board.</p>  <p>2 Put the bolt through the hole and tighten it with washer and nut.</p>  <p>3 Swing hanger has been assembled.</p>  <p>4 Refer to the drawing indication to wind the rope 2 laps.</p>  <p>5 Follow up the drawing to tie the knot accordingly.</p>  <p>Finish Make sure the knot has been tightened.</p>  <p>Finish</p>			
<p>SSS-0063</p>  <p>X 1</p> <p>OR</p> <p>SSS-0091</p>  <p>X 1</p>				