

Installation Guide

Cyclone Seat with Black Rope (SSS-0120)

Part List

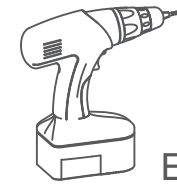
Tools



Gloves



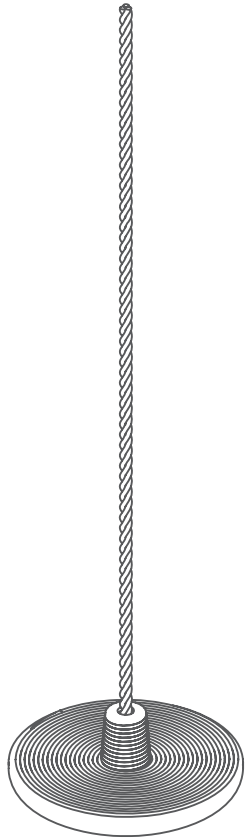
Safety Glasses



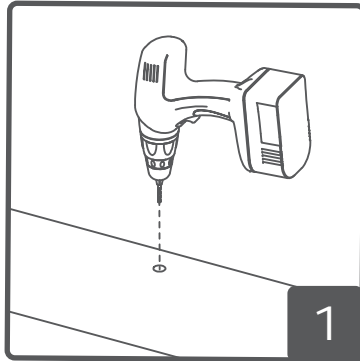
Electric drill



Dia 20 mm
Drill

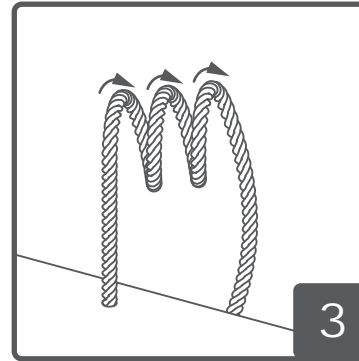


X 1



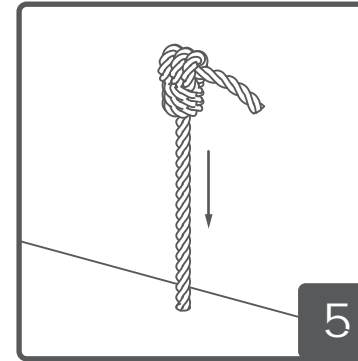
1

Predrill 20mm hole through board.



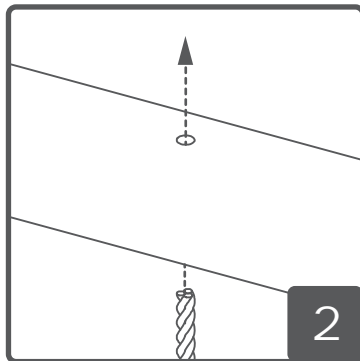
3

Refer to the drawing indication to wind the rope 3 laps.



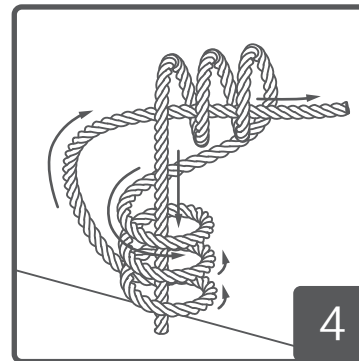
5

Make sure the knot has been tightened.



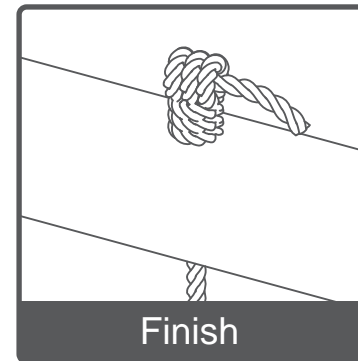
2

Put the rope through the hole.

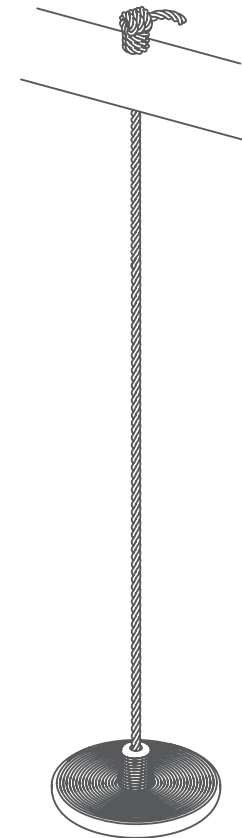


4

Follow up the drawing to tie the knot accordingly.


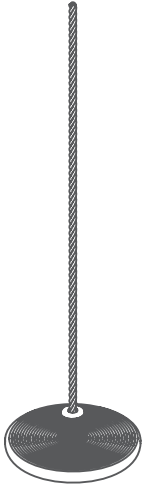
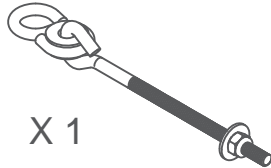

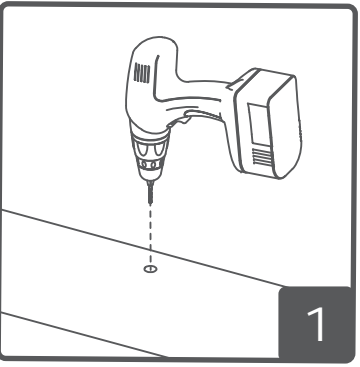
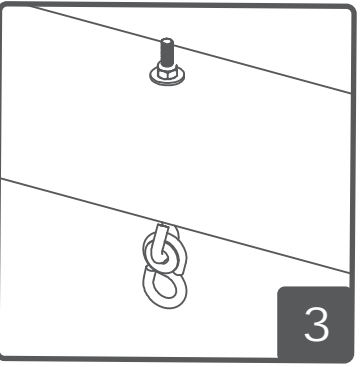
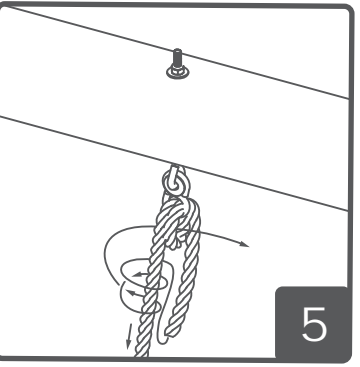
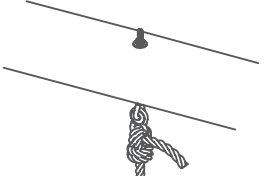
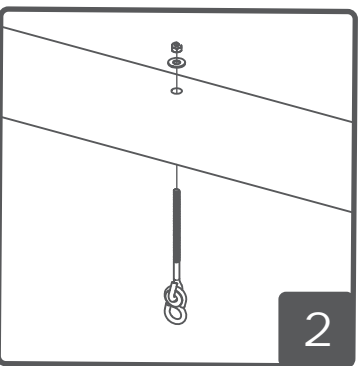
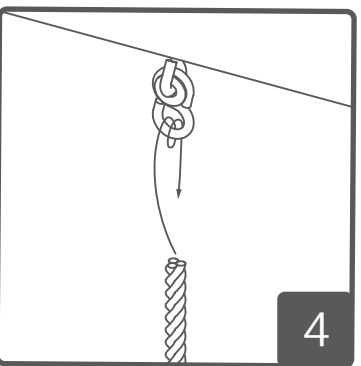
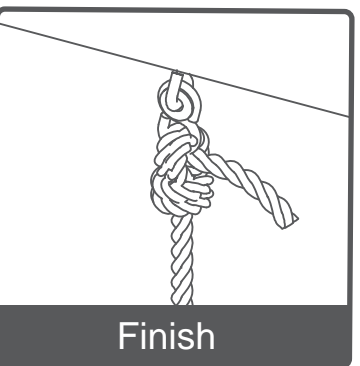
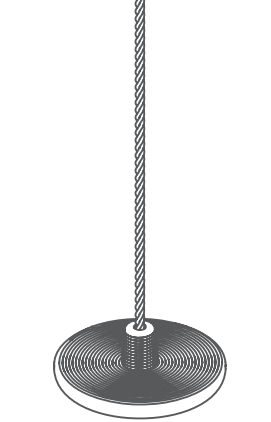


Finish



Finish

Alternative Assembly :

<p>Part List</p>				
	<p>Tools</p>			
<p>Recommended accessories</p>				
<p>SSS-0063</p>  <p>X 1</p> <p>OR</p> <p>SSS-0091</p>  <p>X 1</p>	 <p>1</p> <p>Predrill 10mm hole through board.</p>	 <p>3</p> <p>Swing hanger assembled.</p>	 <p>5</p> <p>Follow up the drawing to tie the knot accordingly.</p>	
	 <p>2</p> <p>Put the bolt through the hole and tighten it with washer and nut.</p>	 <p>4</p> <p>Refer to the drawing indication to wind the rope 2 laps.</p>	 <p>Finish</p> <p>Make sure the knot has been tightened.</p>	 <p>Finish</p>