

Installation Guide

2 People Glider Swing Seat with Chains (SSS-0028)

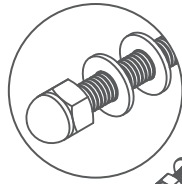
Part List



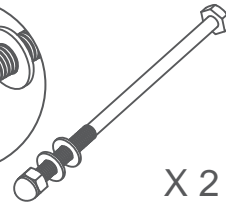
X 2



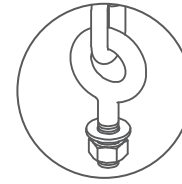
X 1



X 2



X 2



X 4



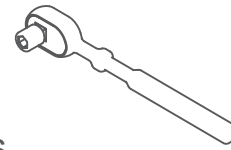
Tools



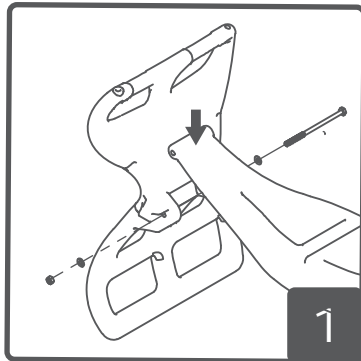
Gloves



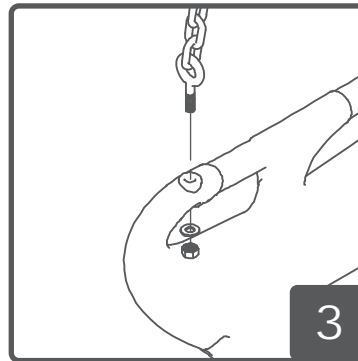
Safety Glasses



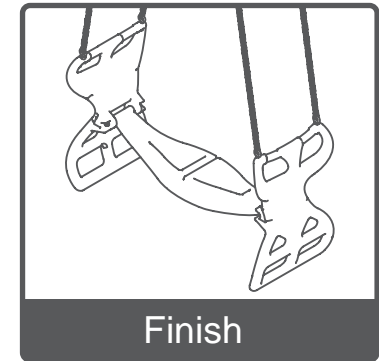
Ratchet



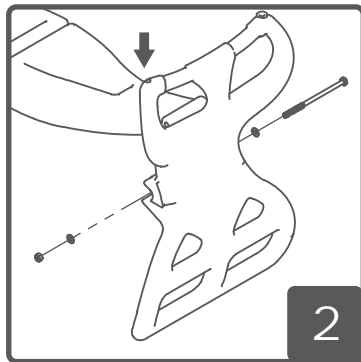
1. Line up the holes of the Seat with the holes of the Handle Assemblies.



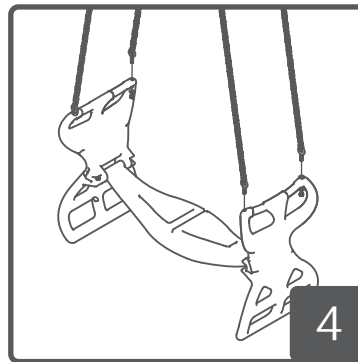
3. Insert the Eye Bolt of the Chain through the hole in the Handle Assembly.



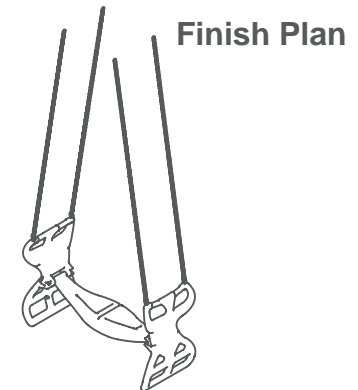
Finish



2. Repeat the step 1 to complete the other side of the Handle Assemblies.



4. Completed all 4 Chains in the Handle Assembly, Make sure that the nuts are tightened prior to use.

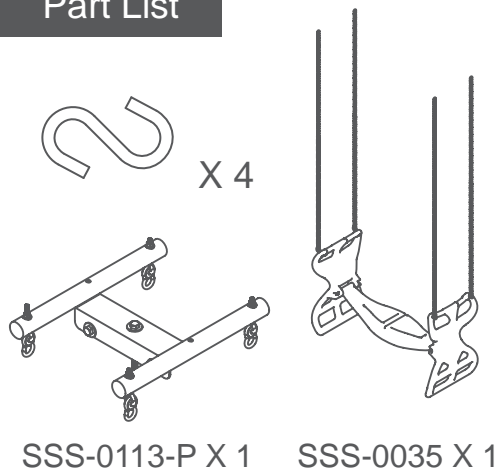


Finish Plan

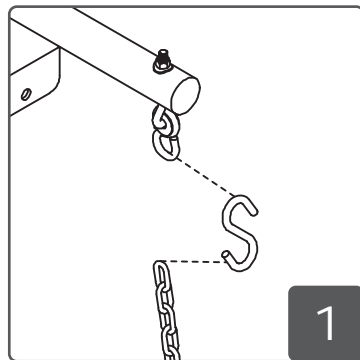
Assembly of Glider Swing Seat

2 People Glider Swing Seat with Chains (SSS-0028)

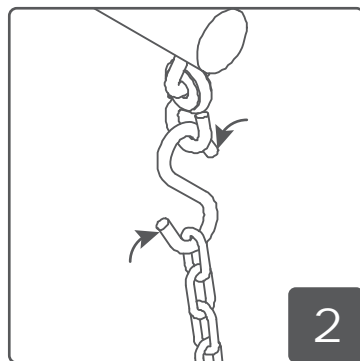
Part List



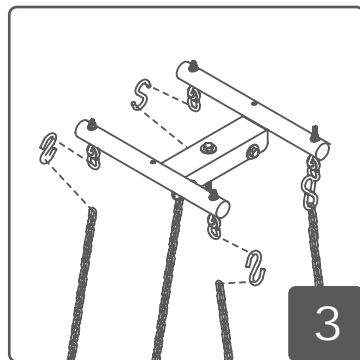
Tools



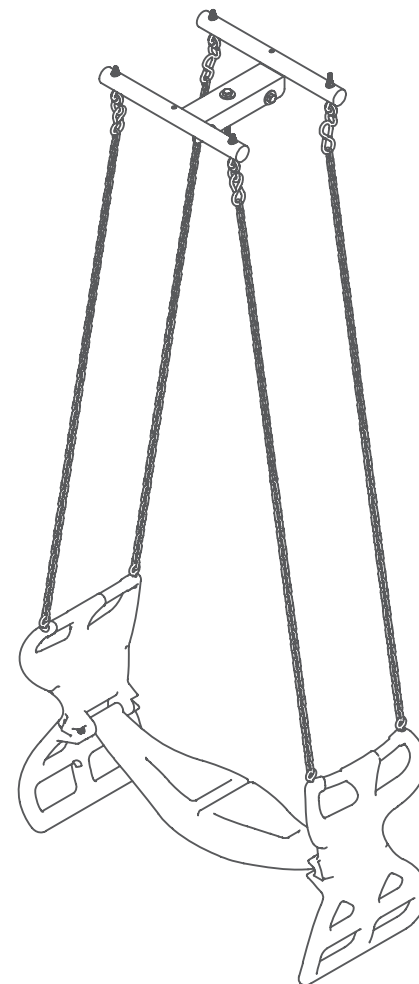
1. Attach chain with S hook to the swing hangers.



2. Use the Bender Tool to bend the S hook completely. All S-hooks must be bent fully closed.



3. Repeat the Step 1 & 2 to connect all 4 Chains into the Glider Bracket.



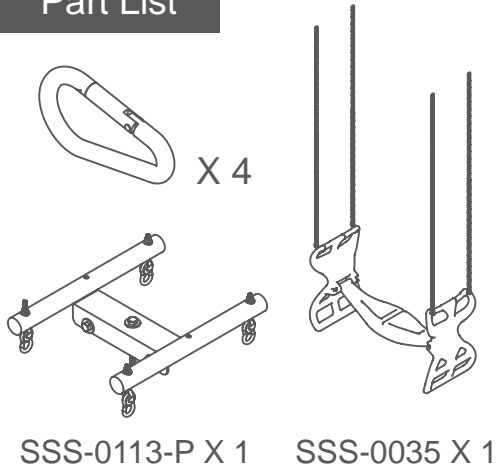
Finish Plan

NOTE : Before connecting the S hook with the chains onto the Glider Bracket please make sure the glider bracket is attached to the swing beam.

Assembly of Glider Swing Seat

2 People Glider Swing Seat with Chains (SSS-0028)

Part List



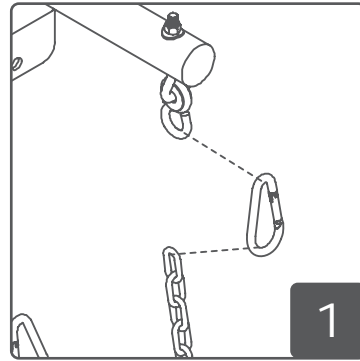
Tools



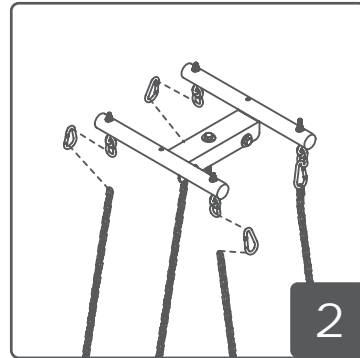
Gloves



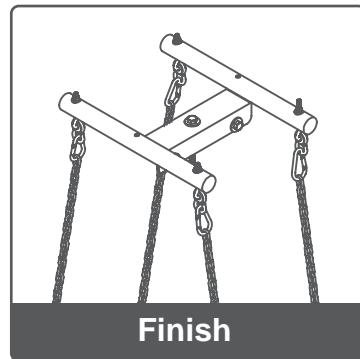
Safety Glasses



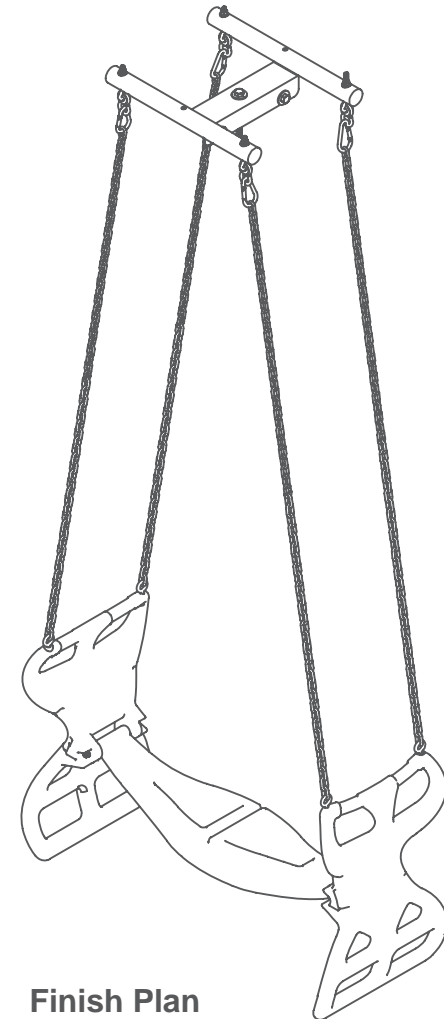
1. Attach chain with Spring Clips to the swing hangers.



2. Repeat the Step 1 to connect all 4 Chains into the Glider Bracket.



Finish



Finish Plan

NOTE : Before connecting the Spring Clips with the chains onto the Glider Bracket please make sure the glider bracket is attached to the swing beam.