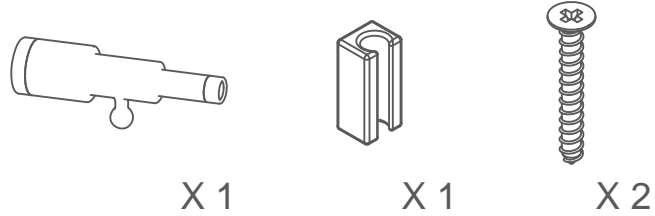


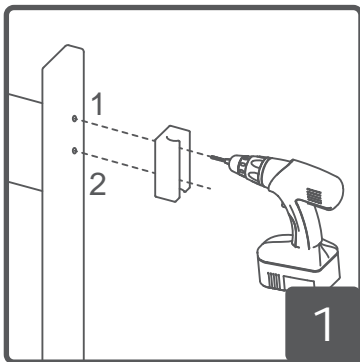
Installation Guide

Plastic Telescope with Bracket (SSS-0289)

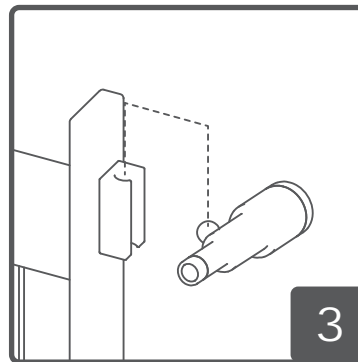
Part List



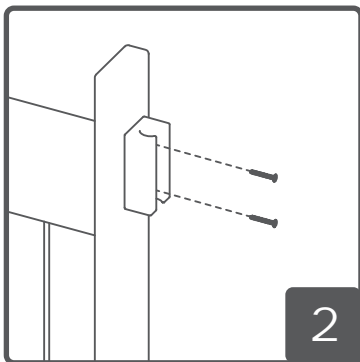
Tools



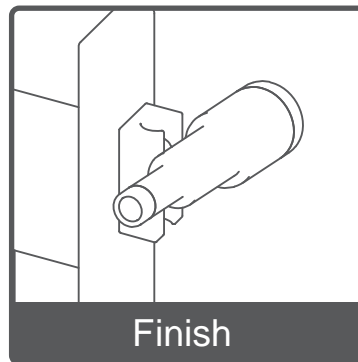
Mark the holes for predrilling, drill 2 holes to depth of 20mm.



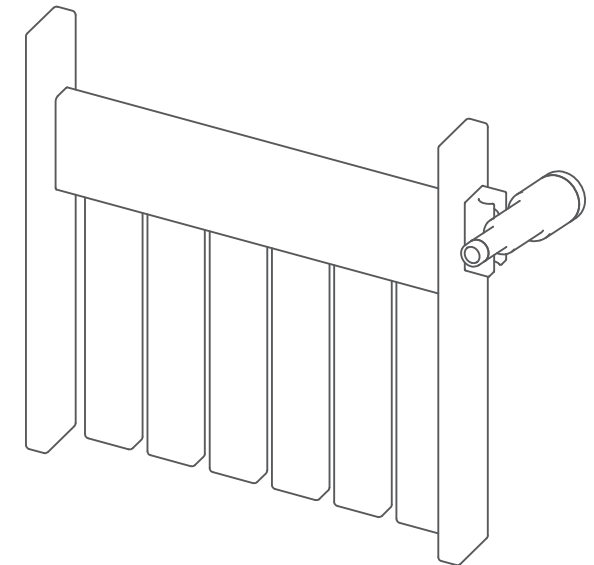
Snap the Telescope into the Bracket.



Align the hole in the base and fasten to the board with screws.



Finish



Finish Plan