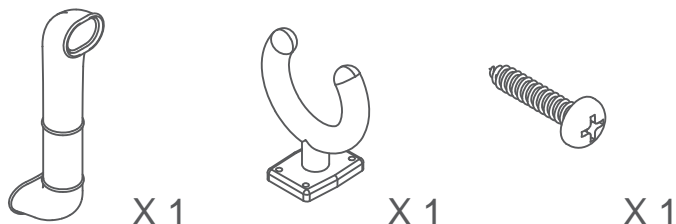


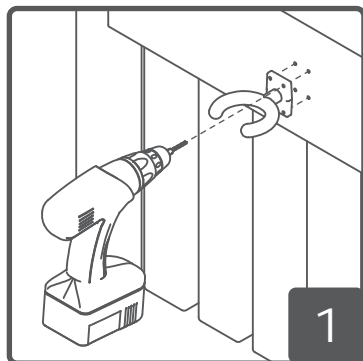
# Installation Guide

## Plastic Periscope with Grey Bracket (SSS-0004)

### Part List

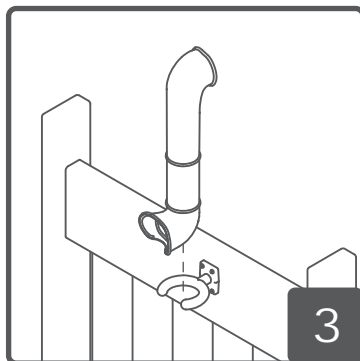


### Tools



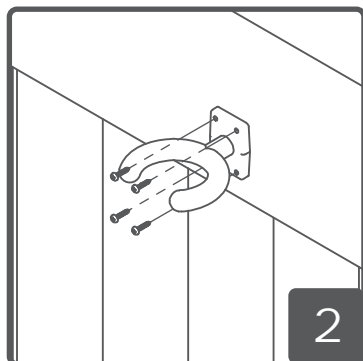
Mark the holes for predrilling, drill 4 holes to depth of 20mm.

1



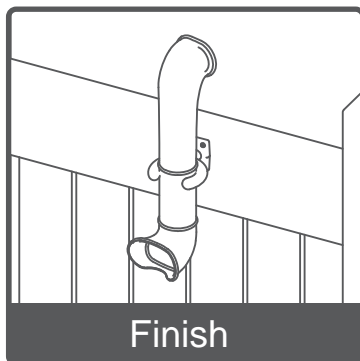
Place the Periscope to the bracket.

3

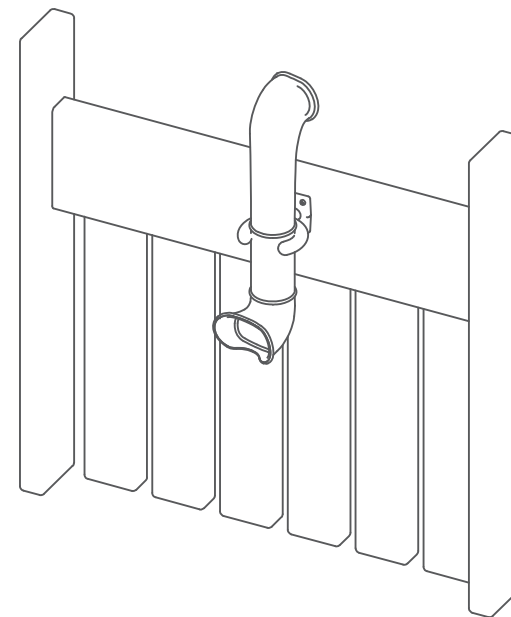


Snap the periscope into the bracket.

2



Finish



Finish Plan