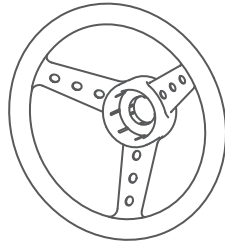


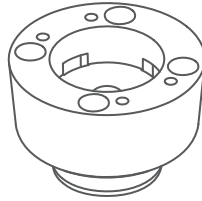
Installation Guide

Plastic Steering Wheel (SSS-0002)

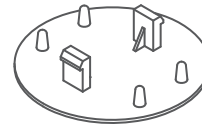
Part List



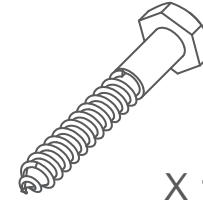
X 1



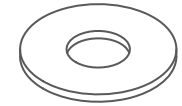
X 1



X 1



X 1



X 1

Tools



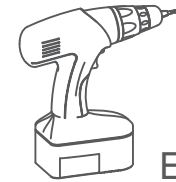
Gloves



Safety Glasses



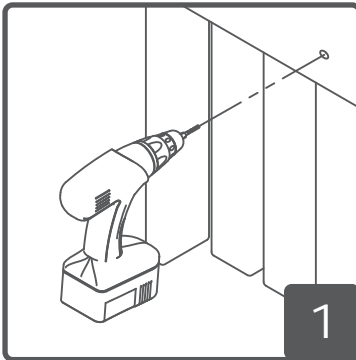
Ratchet



Electric drill

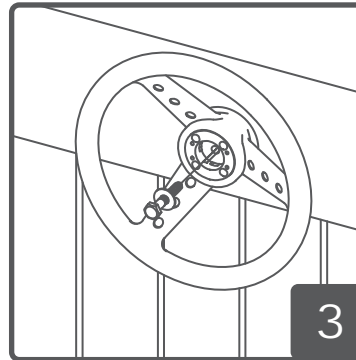


Dia 5 mm
Drill



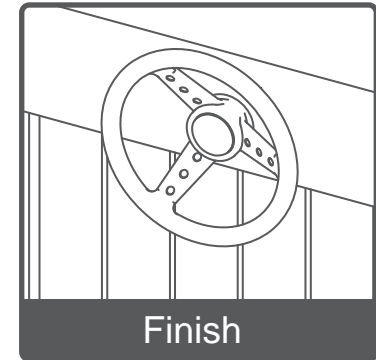
Predrilling one hole to the board in depth 35mm.

1

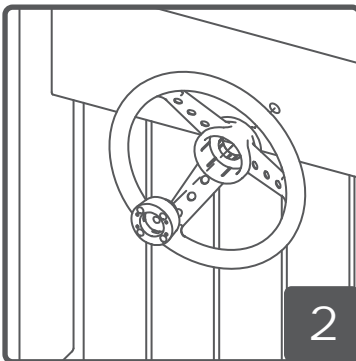


Using the Ratchet and the proper socket size to fasten the screw and washer.

3

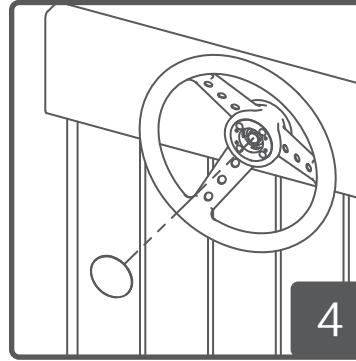


Finish



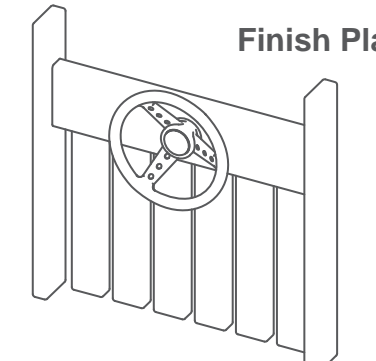
Place the Steering Wheel and the axial bracket to the board and aligned the hole in the base.

2



Press the plastic cover on the axial bracket.

4



Finish Plan