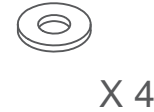
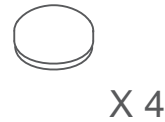
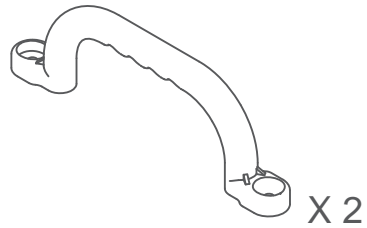


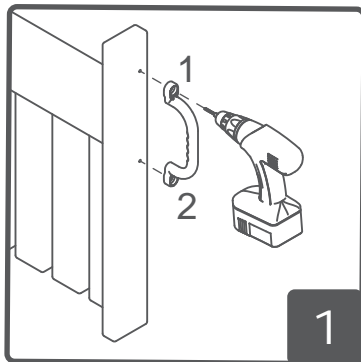
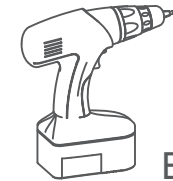
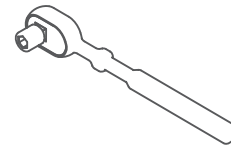
Installation Guide

Plastic Short Hand Grip 9.25" (24cm) with security caps (SSS-0010)

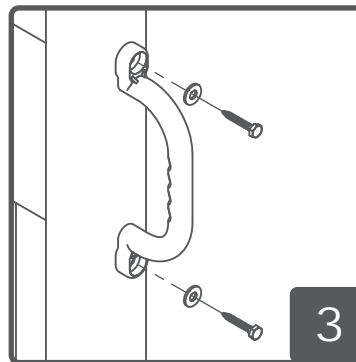
Part List



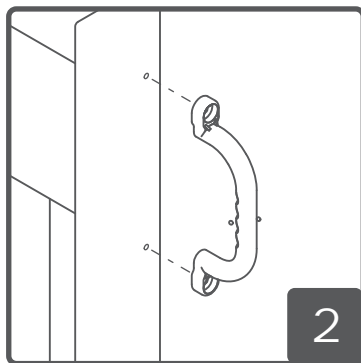
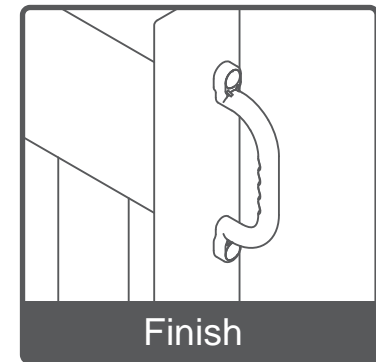
Tools



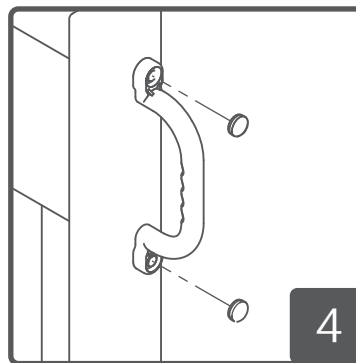
Place the hand grip to the board, mark the holes in the base for predrilling two holes to the depth of 30mm.



3. Fasten the hand grip to the board with 2 screws using a ratchet with proper socket.



2. Place the Hand Grip on the board.



4. Put the plastic cover on the Hand Grip.

