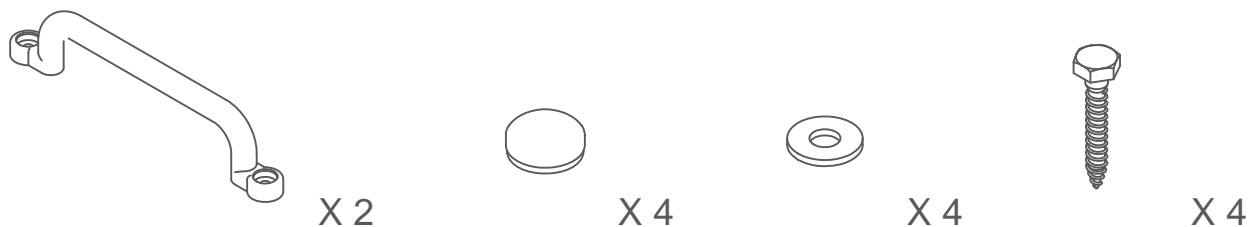


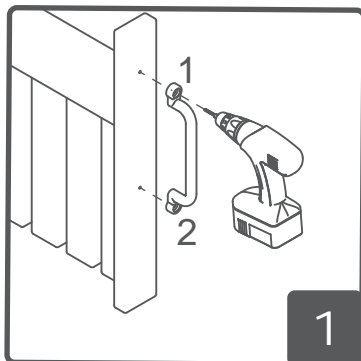
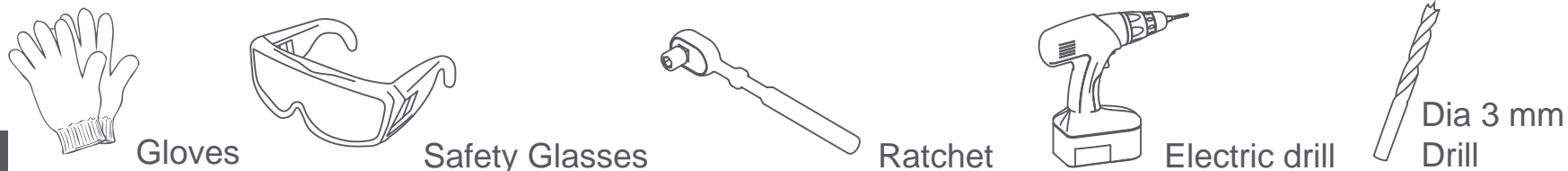
Installation Guide

Plastic Long Hand Grip 12.7" with security caps (SSS-0008)

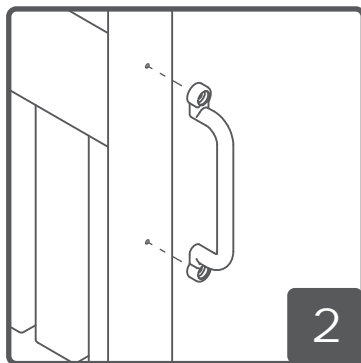
Part List



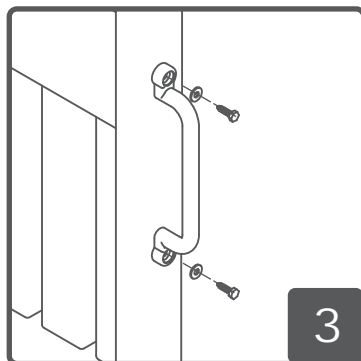
Tools



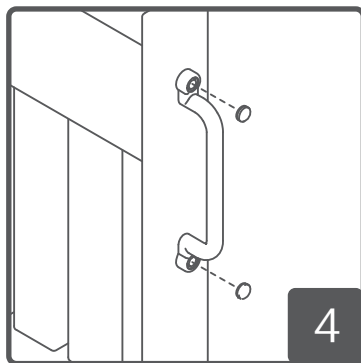
Place the hand grip to the board, mark the holes in the base for predrilling two holes to the depth of 30mm.



2. Place the Hand Grip on the board.



3. Fasten the hand grip to the board with 2 screws using a ratchet with proper socket.



4. Put the plastic cover on the Hand Grip.

