

Installation Guide

2 3/8" Steel Pipe Swing Hanger (SSS-0093-P)

Part List

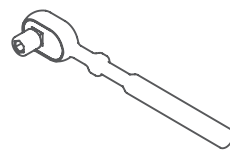
Tools



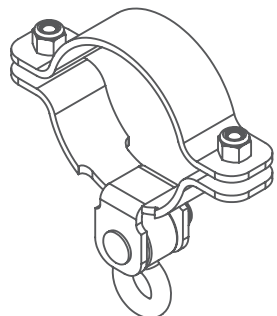
Gloves



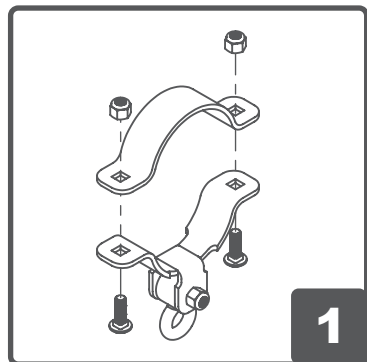
Safety Glasses



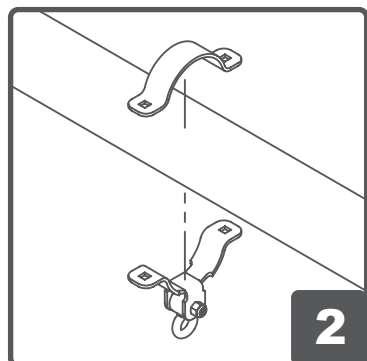
Ratchet



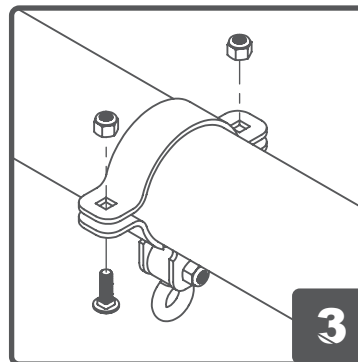
X1



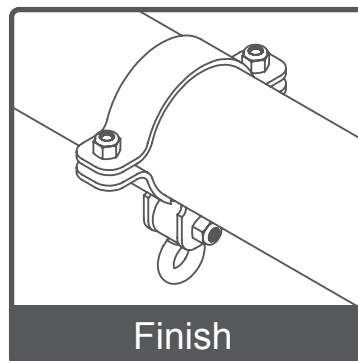
1
Loosen the screws to separate the parts of Swing Hanger.



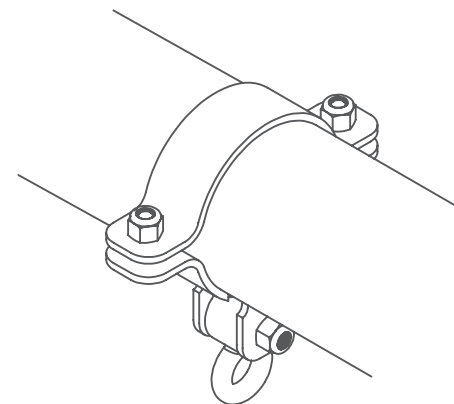
2
Place the top and bottom parts on the pipe.



3
Put the screw through the hole and fasten it.



Finish



Finish

