

# Installation Guide

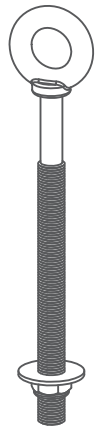
## 24" Rope Ladder (SSS-0115-P)

### Part List



X 1

### Optional



Eyehook

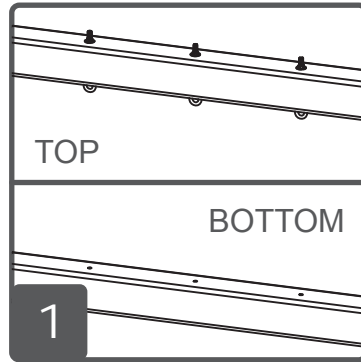
### Tools



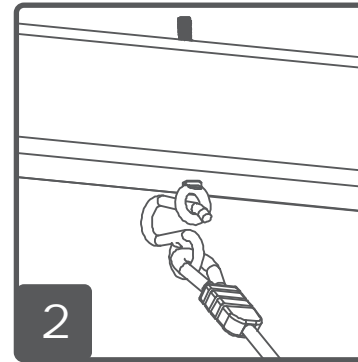
Gloves



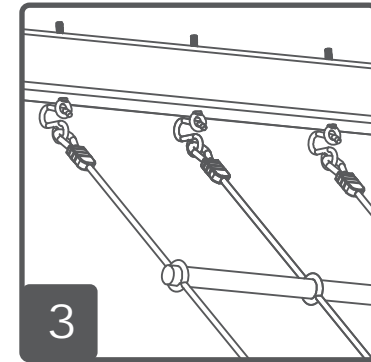
Safety Glasses



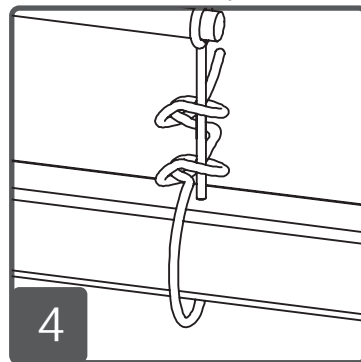
1. Make sure to have eyehooks (not included) attached to your wood beam and corresponding holes at the bottom of your wood beam before starting attachment of ladder. Make sure eyehooks are securely attached. Ladder must be secured at both top and bottom.



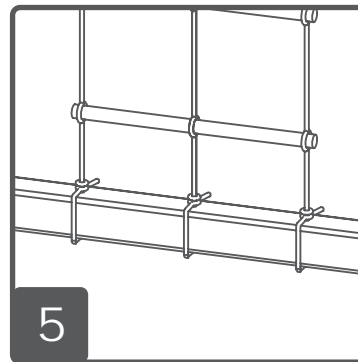
2. Attach the s-hooks on the top of the rope ladder to the eyehooks on your wood beam.



3. Repeat the 2nd step to complete and fix the three S hooks in sequence.



4. The rope passes through the hole at the bottom, and wound up twice to fix them.



5. Repeat the 4th step to complete and fix the bottom end.



Finish Plan



← Overhand Knot