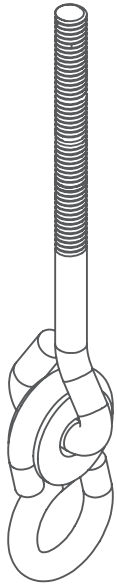


Installation Guide

4"x3/8" Nylon Bushing Swing Hanger (SSS-0091-P)

Part List



X2



X2



X2

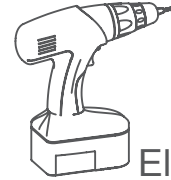
Tools



Gloves



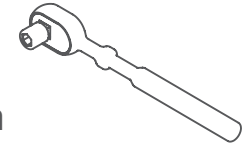
Safety Glasses



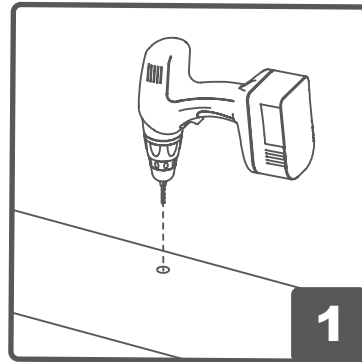
Electric drill



Dia 10 mm
Drill

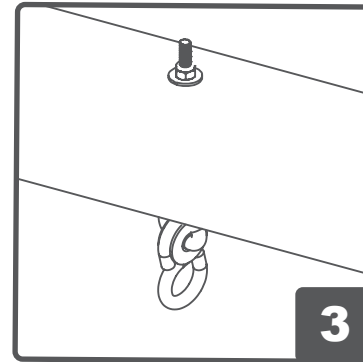


Ratchet



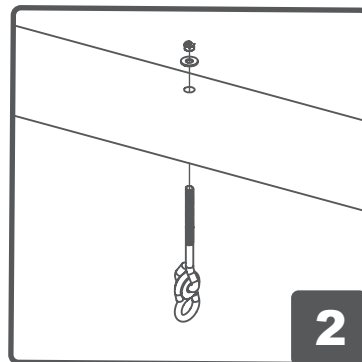
1

Pre-drill 10mm hole through the board.



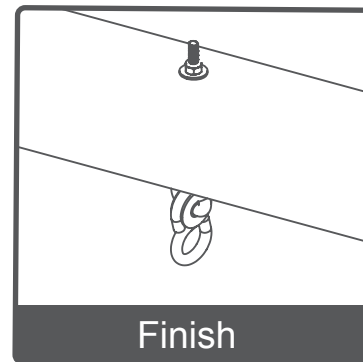
3

Fasten it with washer and nut.



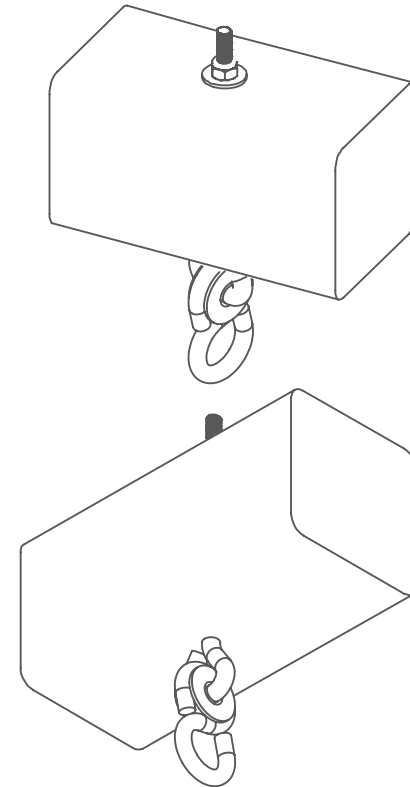
2

Put the screw through the hole.



Finish

*Entire shaft of the swing hanger, including the none threaded part, must be completely inside wood up to the pivot as shown in the picture.



Finish