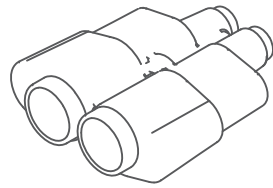


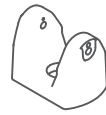
Installation Guide

Binoculars (SSS-0132)

Part List



X 1



X 1



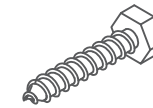
X 1



X 2



X 2



X 1

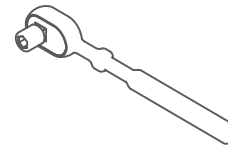
Tools



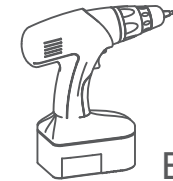
Gloves



Safety Glasses



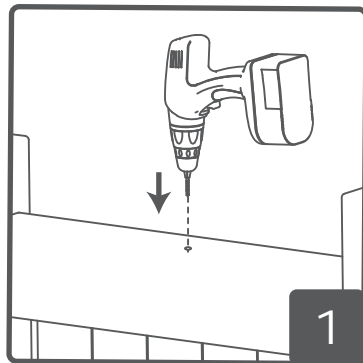
Ratchet



Electric drill

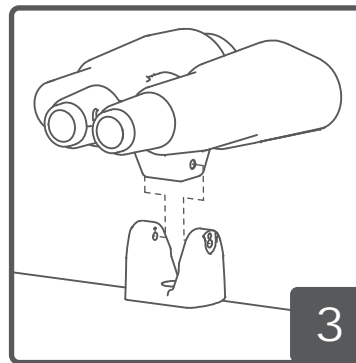


Dia 5 mm
Drill



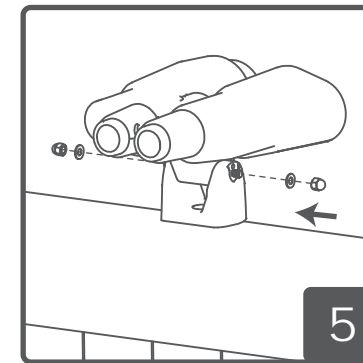
Predrilling one hole to the board in depth 20mm.

1



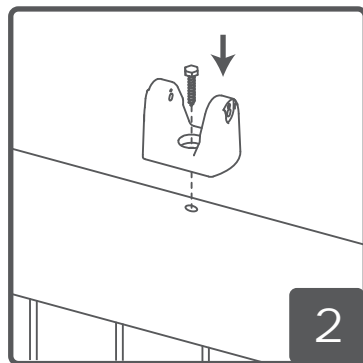
Align the hole of Binocular in the Bracket.

3



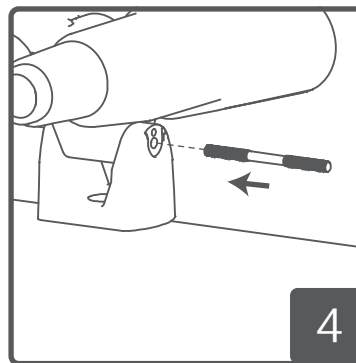
Fasten the Stud with washers and nuts.

5



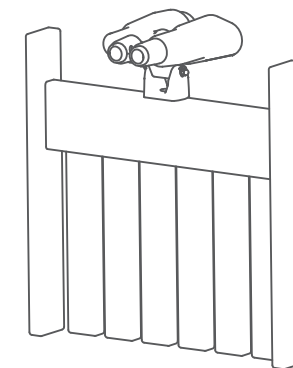
Fasten the Bracket to the board with screw.

2



Place the Double Ended Stud thru the holes.

4



Finish Plan