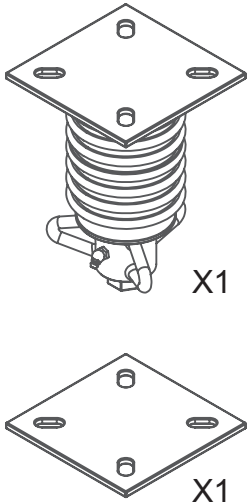


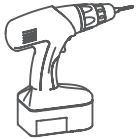
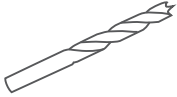
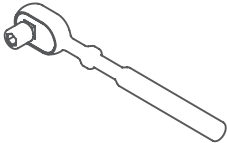
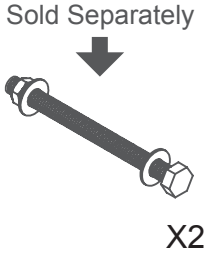
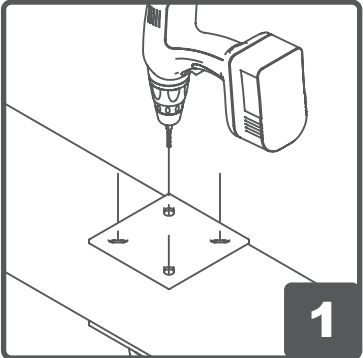
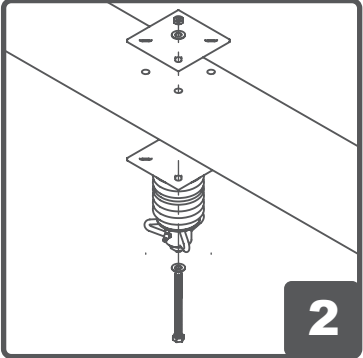
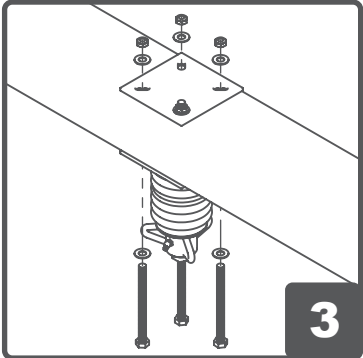
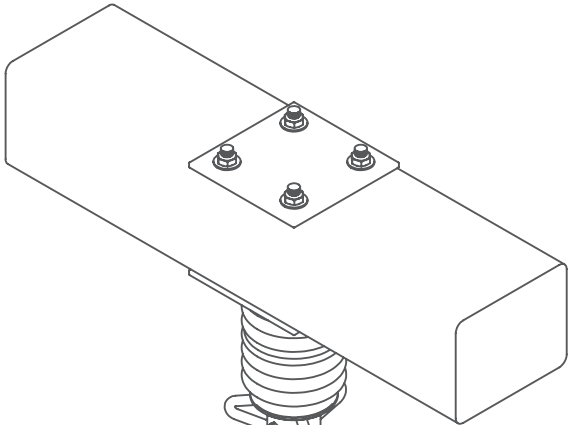
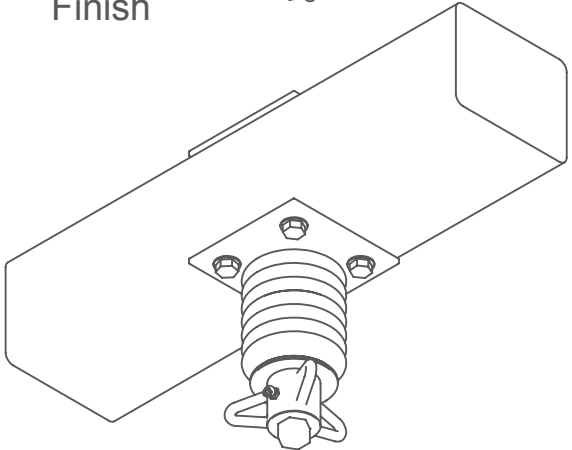


Installation Guide

Commercial Extra Heavy Duty Tire Swivel - 4 hole (SSS-0098-P)

Part List	Tools					
		 Gloves	 Safety Glasses	 Electric drill	 Dia 10 mm Drill	 Ratchet
Recommended accessories						
	 1 Place the plate to the board, mark the holes for predrilling 4 holes through the board.	 2 Put the plate and Tire Swivel to the board and aligned the hole, using the screw go through the hole and fasten it with washer and nut.	 3 Repeat the step 2 to complete the whole assembly.	 Finish	 Finish	

By accepting this product you are agreeing to Swing Set Stuff Inc.'s terms and conditions. You can review the terms and conditions at www.swingsetstuff.com/terms-conditions/
Product Instructions are provided by the manufacturer for the convenience of the customer. Swing Set Stuff Inc. does not make any representations or warranties about any product instructions that may be included in customer's shipment or downloaded from Swing Set Stuff Inc.'s website. Any such product instruction is made available independent of Swing Set Stuff Inc. A copy of the product instructions can be found on www.swingsetstuff.com/product-instructions/.