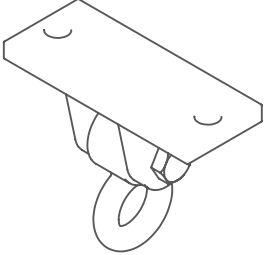


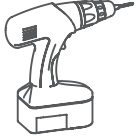
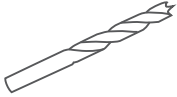
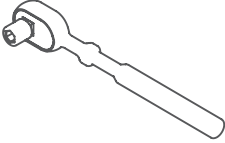

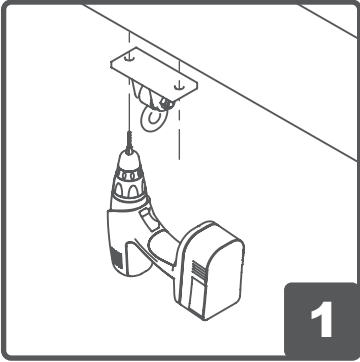
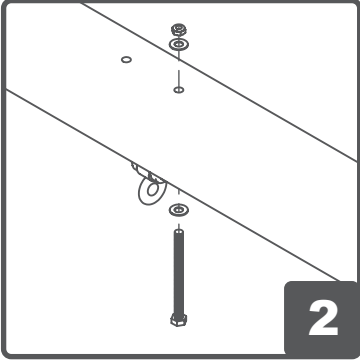
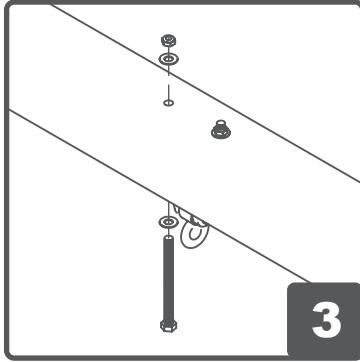
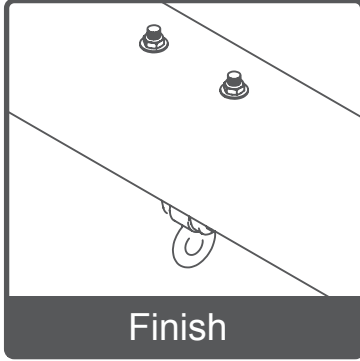
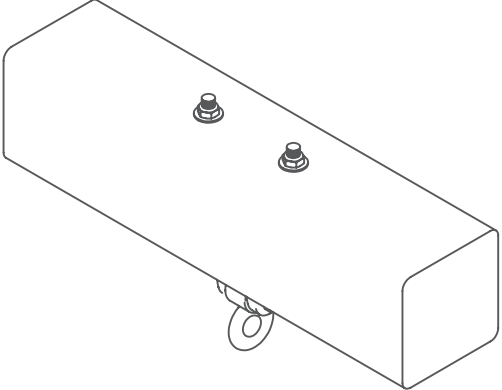
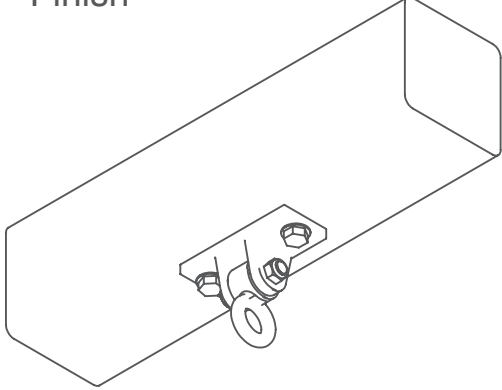


Installation Guide

Ductile Wood Beam Swing Hanger (SSS-0226-P)

Part List	Tools					
 <p>X2</p>		 <p>Gloves</p>	 <p>Safety Glasses</p>	 <p>Electric drill</p>	 <p>Dia 10 mm Drill</p>	 <p>Ratchet</p>
Recommended accessories						
<p>Sold Separately</p>  <p>X2</p>	 <p>1</p> <p>Place the Swing Hanger to the board, mark the holes for predrilling 2 holes through the board.</p>	 <p>2</p> <p>Put the screw through the hole and fasten it with washer and nut.</p>	 <p>3</p> <p>Repeat the step 2 to complete the whole assembly.</p>	 <p>Finish</p>	 <p>Finish</p>	 <p>Finish</p>