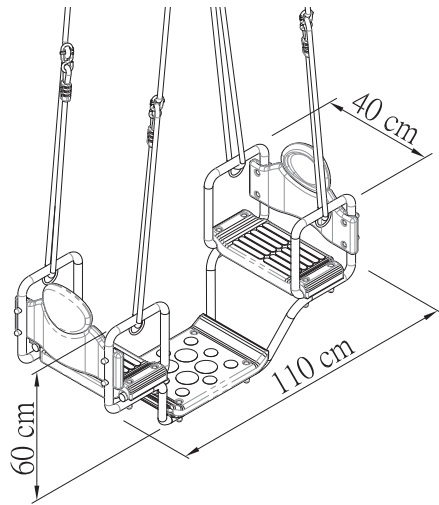


Instructions for Face to Face Glider

Face to Face Glider with Rope (SSS-0379-P)

Part List

REF	Designation	Quantity
1	Bolt Hexagonal 6×35mm	12
2	Bolt Hexagonal 6×60mm	4
3	Bolt Hexagonal 6×65mm	4
4	Washer Galv. Dia.6mm	20
5	6mm-Nut	20
6	6mm-Nut Cap-Black Plastic	12
7	15mm-Nut Cap-Green Plastic	12
8	23mm-Nut Cap-Black Plastic	4



X 1

Tools



Gloves



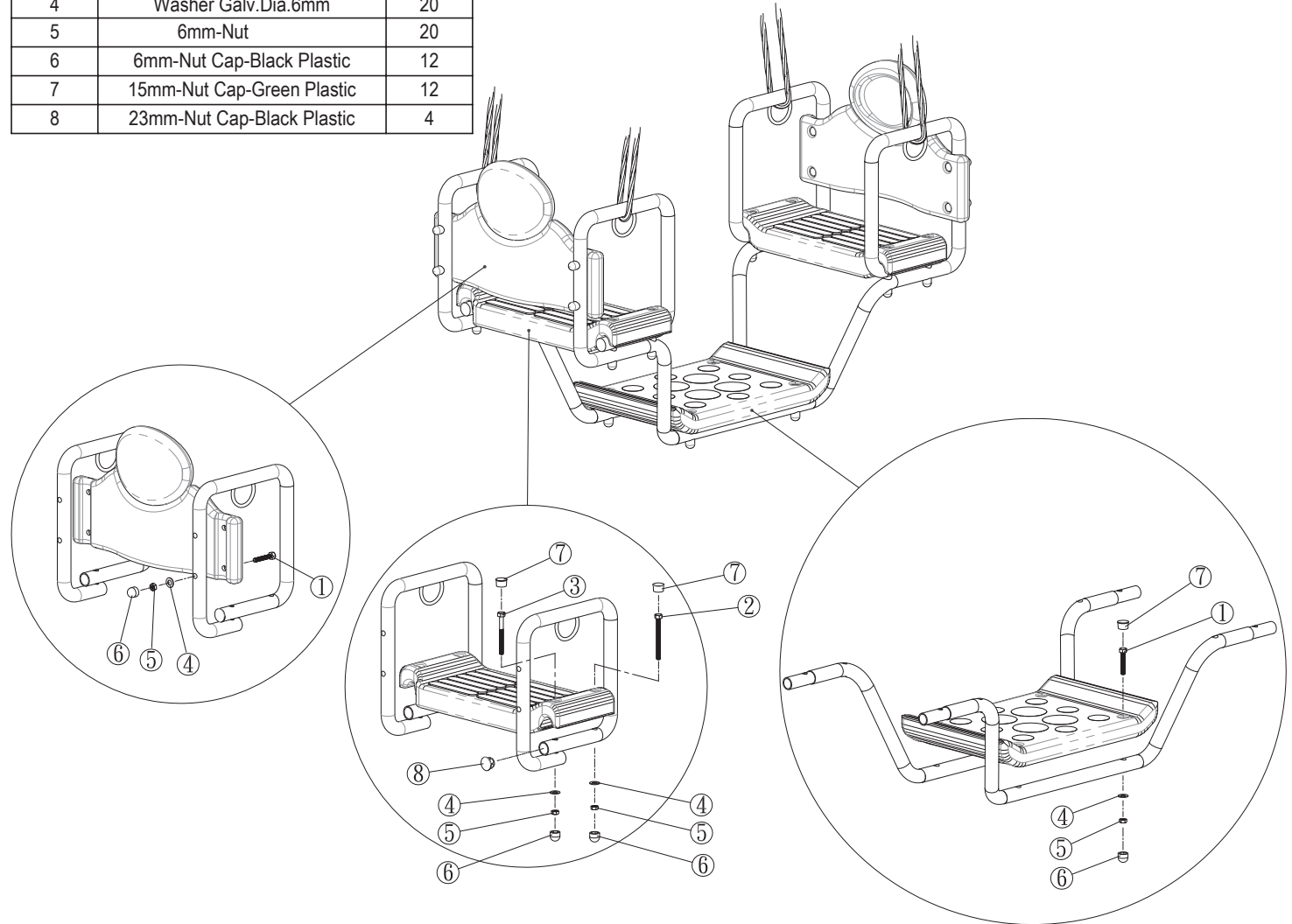
Safety Glasses



Ratchet



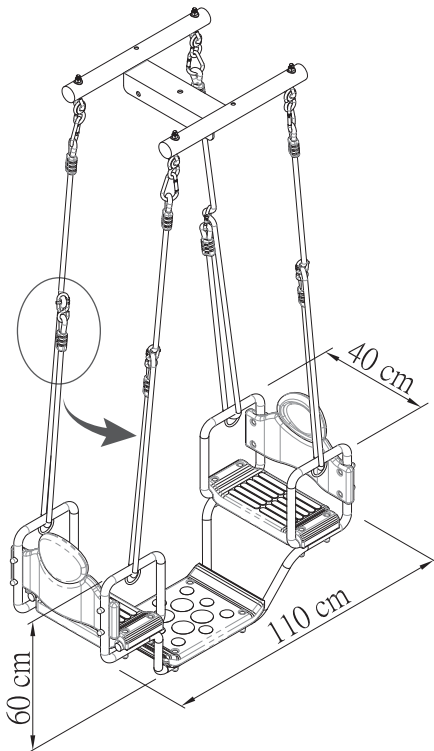
Wrench



Instructions for Face to Face Glider

Face to Face Glider with Rope (SSS-0379-P)

Part List



X 1

Tools

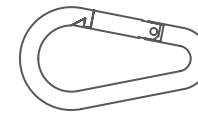


Gloves

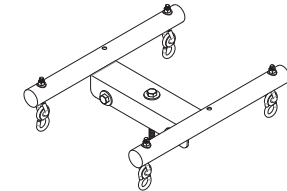


Safety Glasses

Recommended Accessories

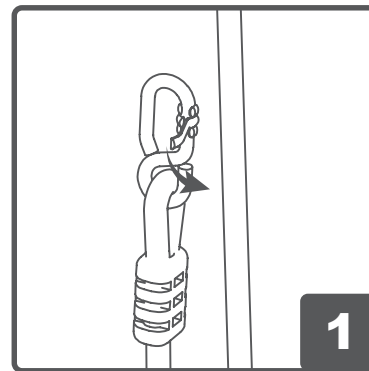


X 4 (SSS- 0136-P)

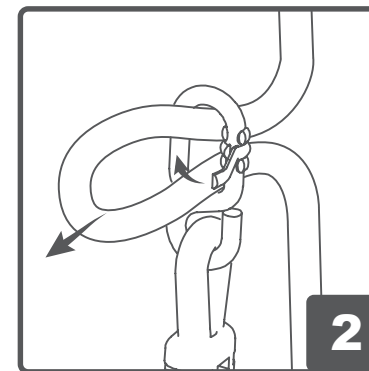


X 1 (SSS-0113-P)

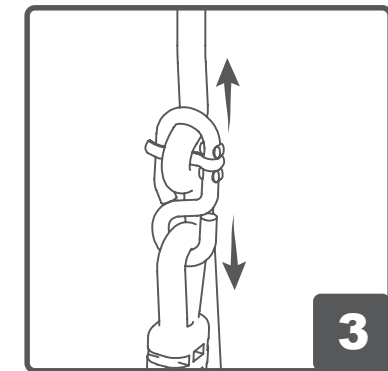
Buckle Threading Instructions



Open the pin on the 8" shaped hook.



Create a loop in the long ended rope near the base of the seat and in the other hand take the "8" shaped hook.



You will need to insert the loop of the long rope into the end of the "8" shaped hook, close the pin and pull snug. You can adjust the rope as needed to fit your swing set.

Note:

On each side of the swing there are rope with round rings. These rings will attach to your swing hanger at the top of your set. If you have closed ended swing hangers you will need spring clips or quick links to attach them to your swing hangers. (sold separately).

These ropes with the round rings will be your long rope on each side. The rope end with the "8" shaped hook will be your short rope end on each side.