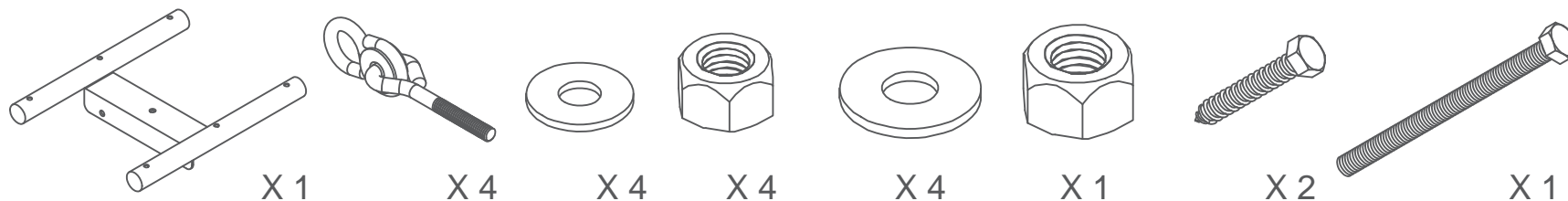


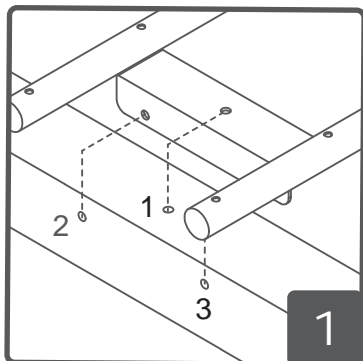
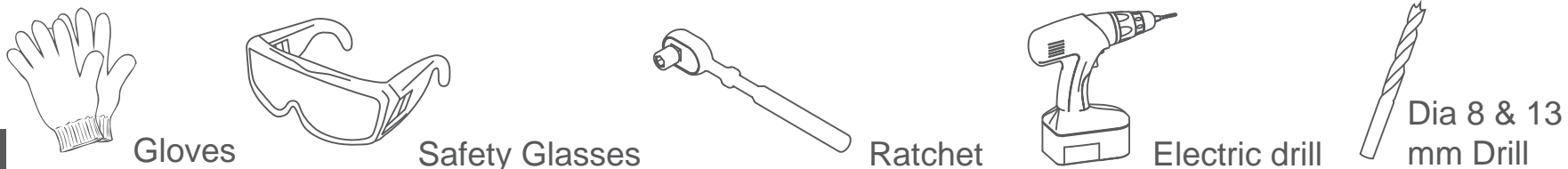
Installation Guide

Glider Bracket with Hardware (SSS-0113-P)

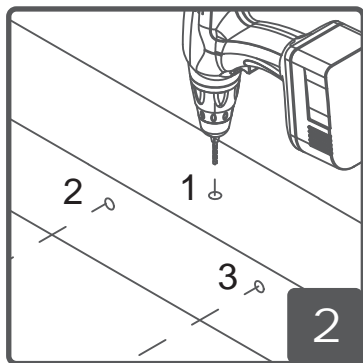
Part List



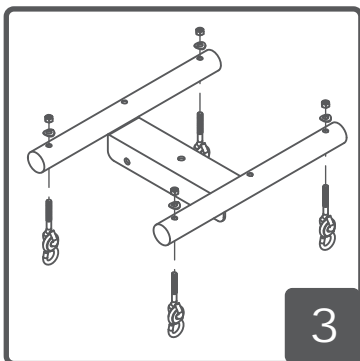
Tools



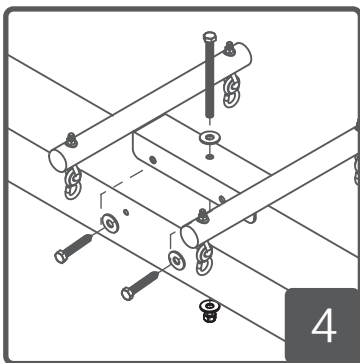
1. Place the bracket to the board and mark the 3 holes in the base for predrilling.



2. Predrill top hole 13mm through. Predrill two side holes 8mm to 55mm depth.



3. Put 4 sets of Swing Hangers through the holes and tighten them with washers and nuts to the Bracket.



4. Use the bolt, 2 lag screws and washers to fix the bracket to the board. Make sure all bolts and nuts are tightened and secure

