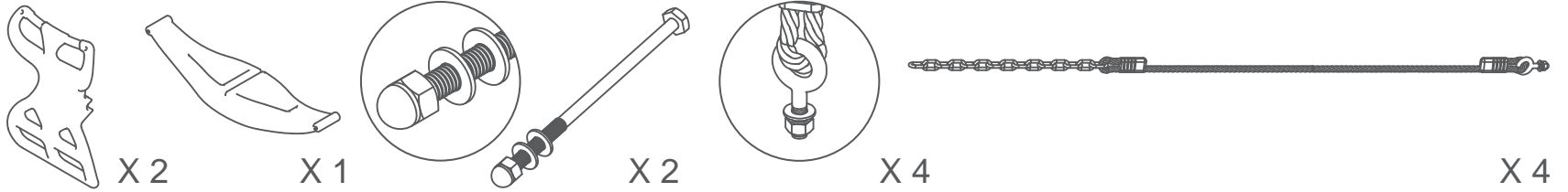


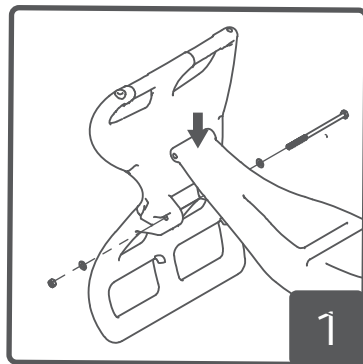
Installation Guide

2 People Glider Swing Seat with Ropes/Chains (SSS-0035)

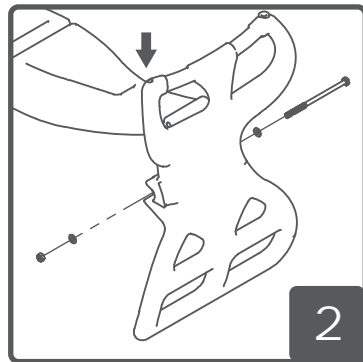
Part List



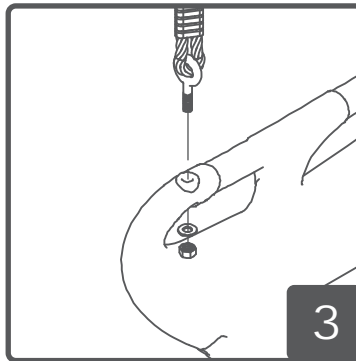
Tools



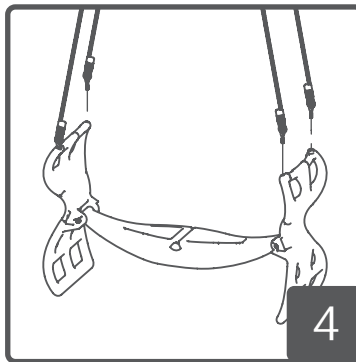
1. Line up the holes of the Seat with the holes of the Handle Assemblies.



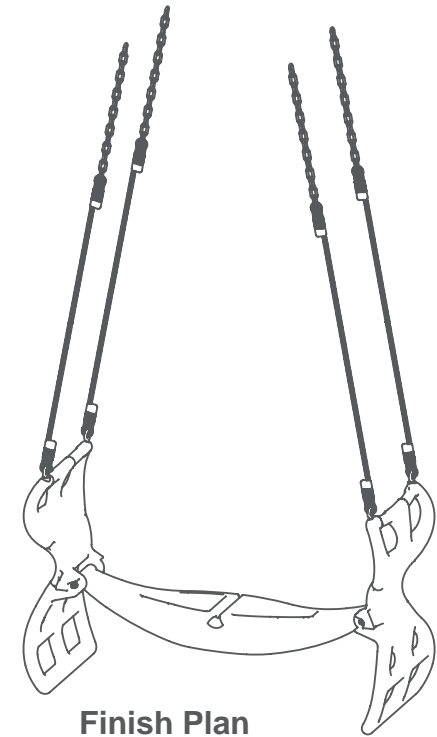
2. Repeat the step 1 to complete the other side of the Handle Assemblies.



3. Insert the Eye Bolt of the Rope through the hole in the Handle Assembly.



4. Completed all 4 Ropes in the Handle Assembly, Make sure that the nuts are tightened prior to use.

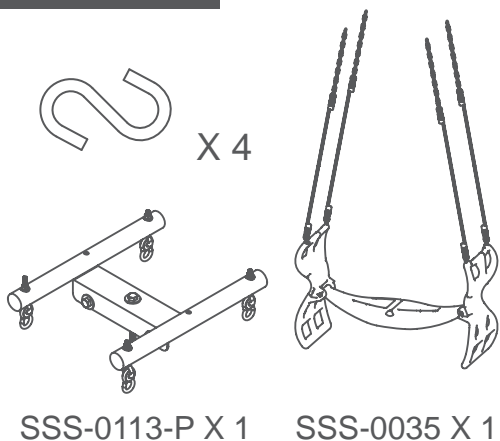


Finish Plan

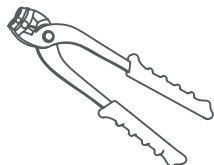
Assembly of Glider Swing Seat

2 People Glider Swing Seat with Ropes/Chains (SSS-0035)

Part List



Tools



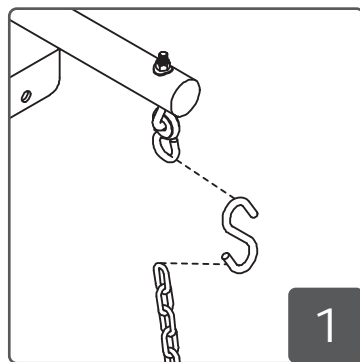
bender tool



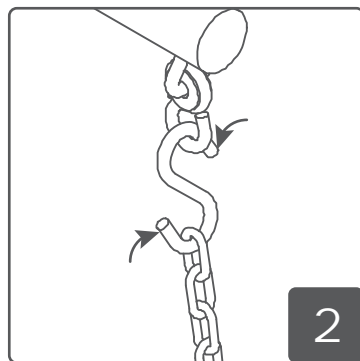
Gloves



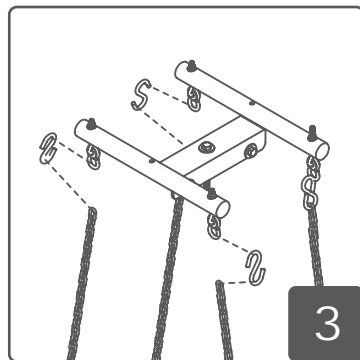
Safety Glasses



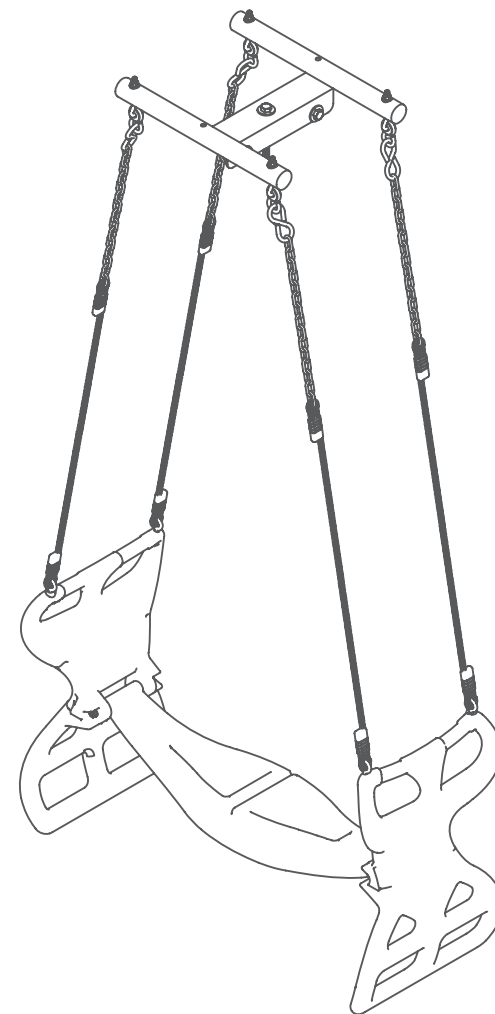
1. Attach chain with S hook to the swing hangers.



2. Use the Bender Tool to bend the S hook completely. All S-hooks must be bent fully closed.



3. Repeat the Step 1 & 2 to connect all 4 Chains into the Glider Bracket.



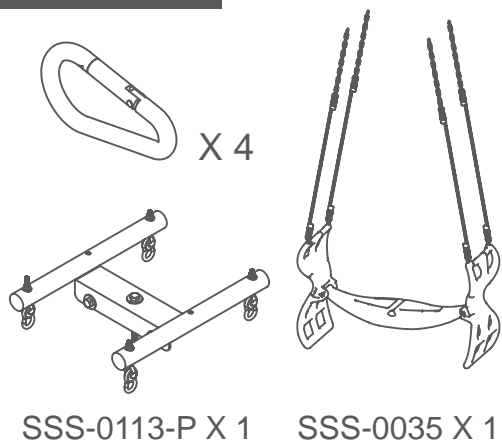
Finish Plan

NOTE : Before connecting the S hook with the chains onto the Glider Bracket please make sure the glider bracket is attached to the swing beam.

Assembly of Glider Swing Seat

2 People Glider Swing Seat with Ropes/Chains (SSS-0035)

Part List



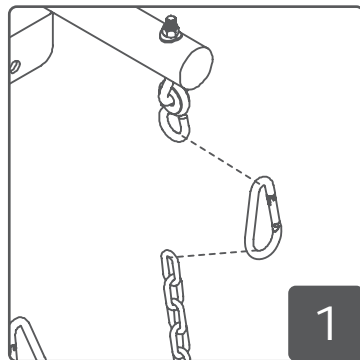
Tools



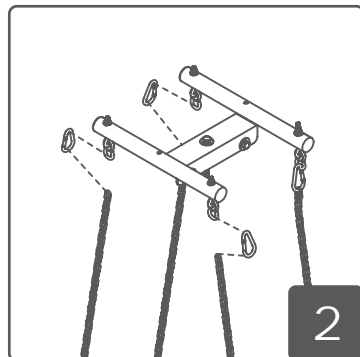
Gloves



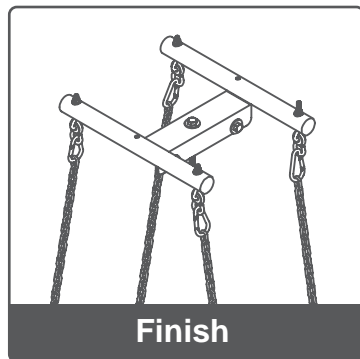
Safety Glasses



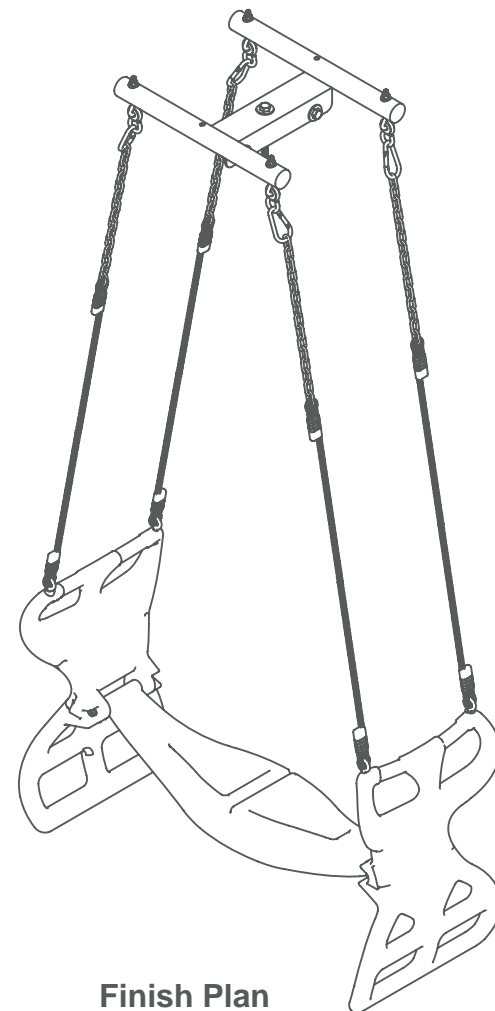
1. Attach chain with Spring Clips to the swing hangers.



2. Repeat the Step 1 to connect all 4 Chains into the Glider Bracket.



Finish



Finish Plan

NOTE : Before connecting the Spring Clips with the chains onto the Glider Bracket please make sure the glider bracket is attached to the swing beam.