

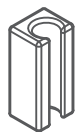
Installation Guide

Plastic Monocular Periscope (SSS-0231)

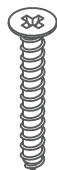
Part List



X 1

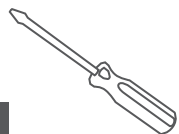


X 1



X 2

Tools



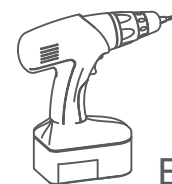
Screwdriver



Gloves



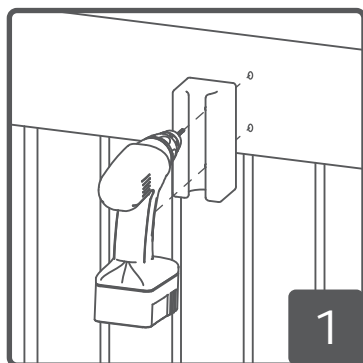
Safety Glasses



Electric drill

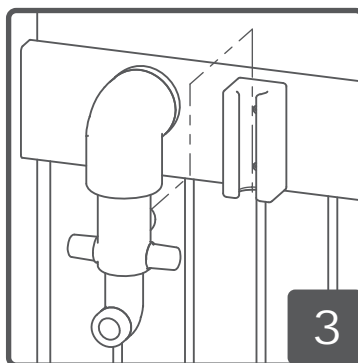


Dia 2 mm
Drill



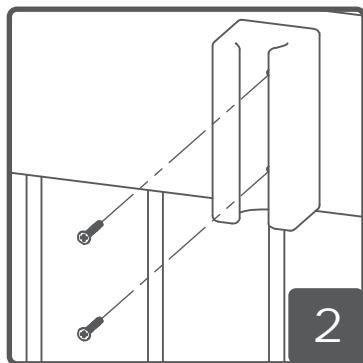
Mark the holes for predrilling, drill 2 holes to depth of 20mm.

1



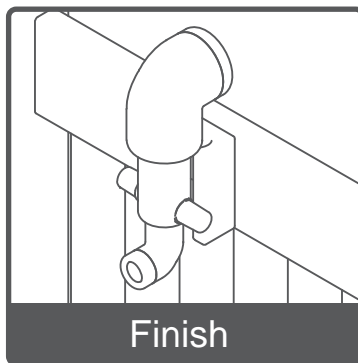
Place the Periscope to the base.

3

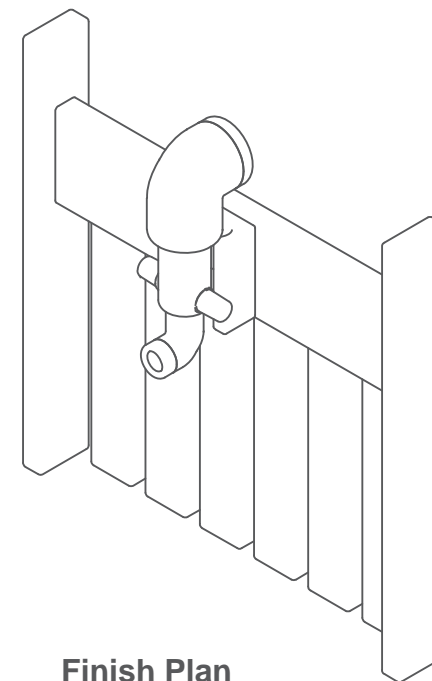


Align the hole in the base and fasten to the board with screws.

2



Finish



Finish Plan