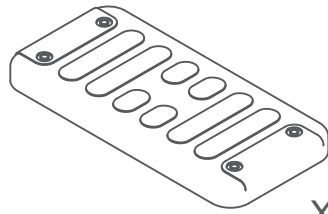


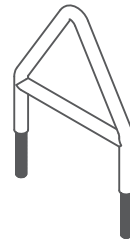
# Installation Guide

## Large Rubber Mega Swing Seat (SSS-0254-P)

### Part List

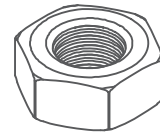


X 1



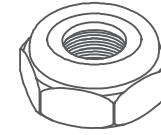
X 2

A

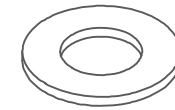


X 4

B

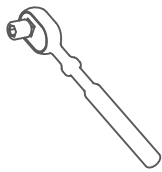


X 4



X 8

### Tools



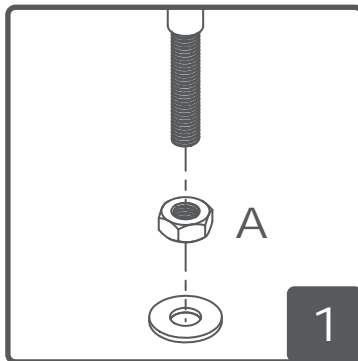
Ratchet



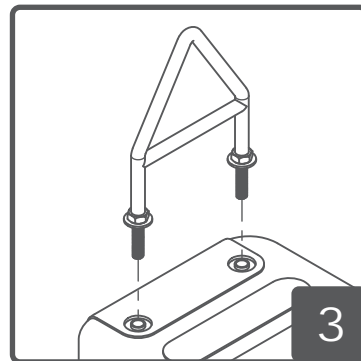
Gloves



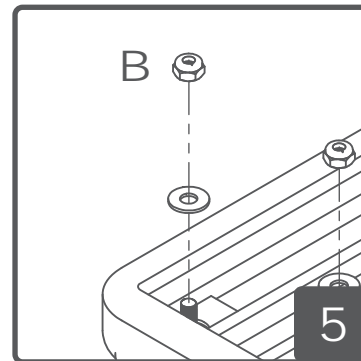
Safety Glasses



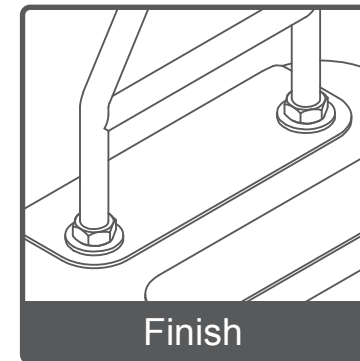
1



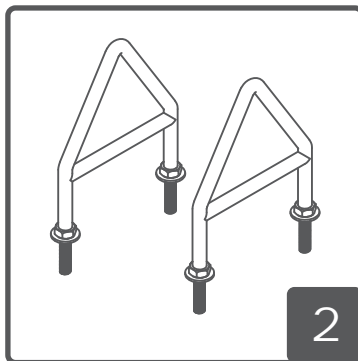
3



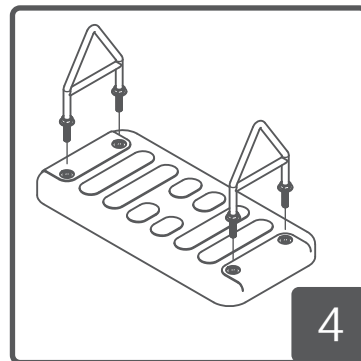
5



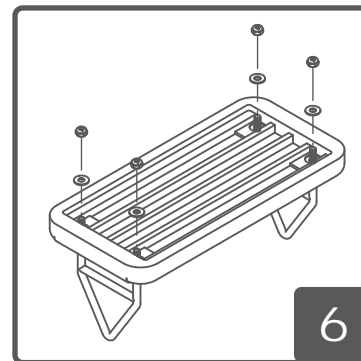
Finish



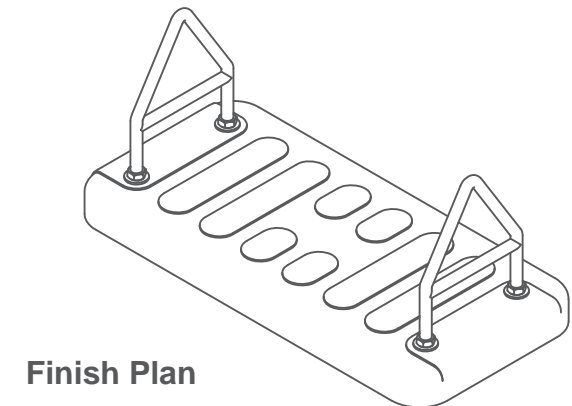
2



4



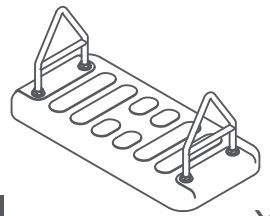


6



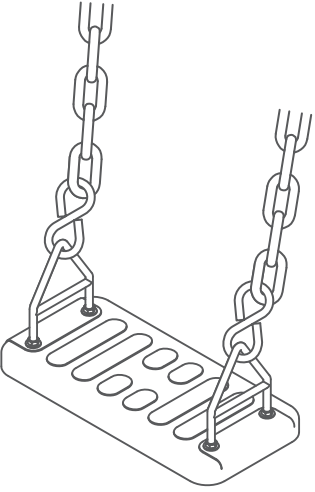
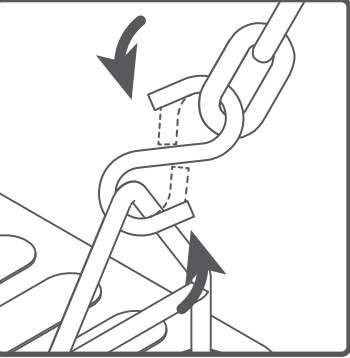
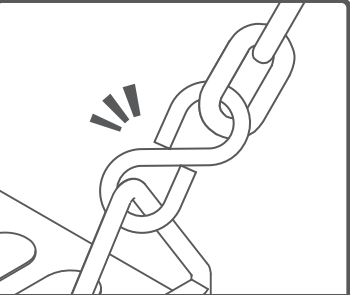
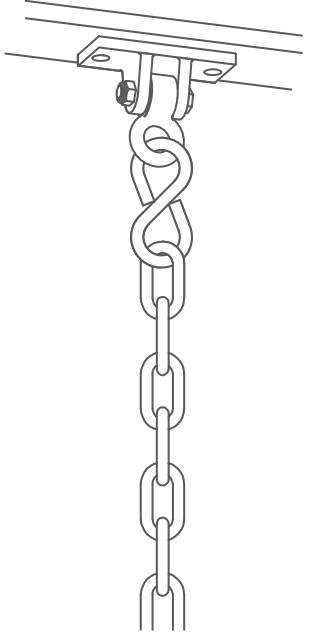
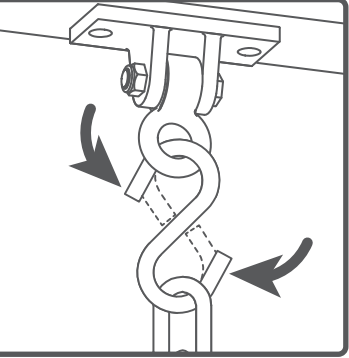
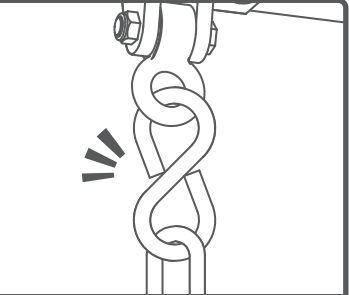
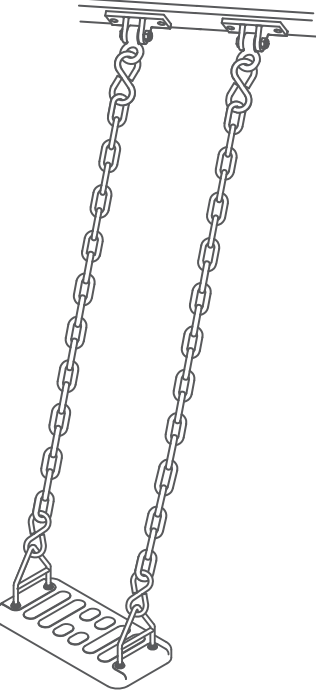
Finish Plan

# Assembly of Swing Seat Large Rubber Mega Swing Seat (SSS-0254-P)

**Option 1**

 <p><b>Part List</b> X 1</p>	 X 2  X 4 <p><b>Recommended accessories</b></p>
---	--

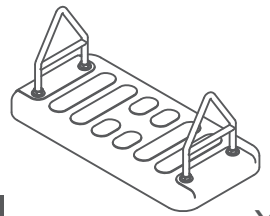


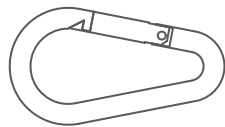
 <p><b>Tools</b> bender tool</p>	 <p>Gloves</p>	 <p>Safety Glasses</p>
---	---	---

 <p>► S-hooks need to be bent closed completely.</p>	<p><b>Step1</b></p>   <p><b>Finish</b></p>	<p><b>Step2</b></p> 	  <p><b>Finish</b></p>	 <p><b>Finish Plan</b></p>
--	---	---	---	--

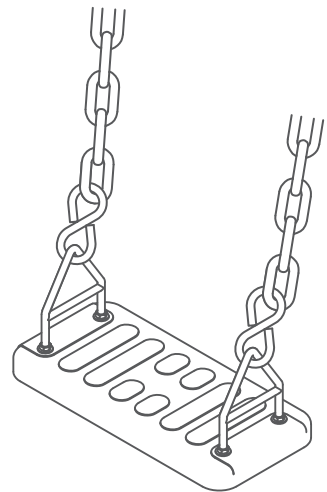
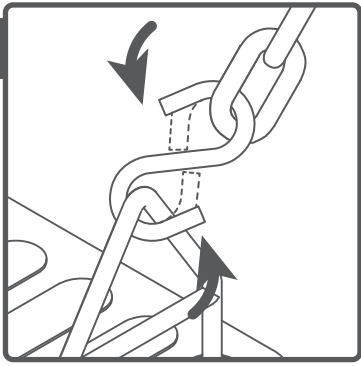
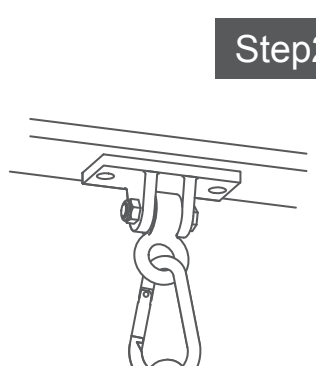
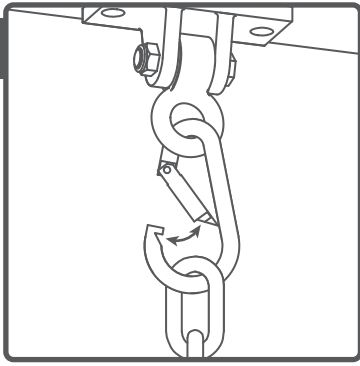
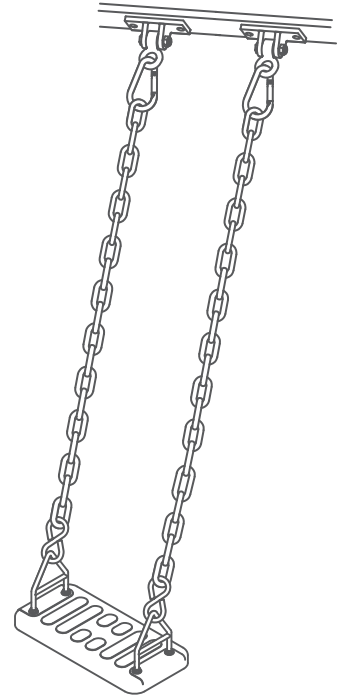
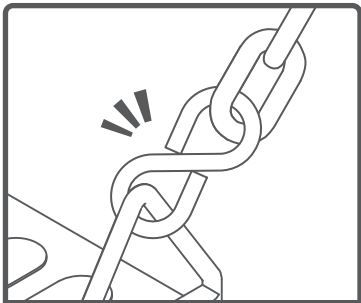
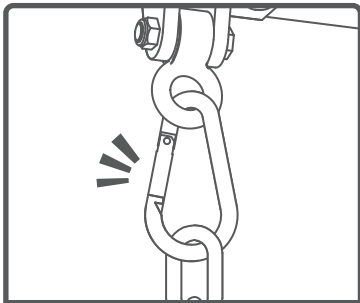
By accepting this product you are agreeing to Swing Set Stuff Inc.'s terms and conditions. You can review the terms and conditions at [www.swingsetstuff.com/terms-conditions/](http://www.swingsetstuff.com/terms-conditions/)  
 Product Instructions are provided by the manufacturer for the convenience of the customer. Swing Set Stuff Inc. does not make any representations or warranties about any product instructions that may be included in customer's shipment or downloaded from Swing Set Stuff Inc.'s website. Any such product instruction is made available independent of Swing Set Stuff Inc. A copy of the product instructions can be found on [www.swingsetstuff.com/product-instructions/](http://www.swingsetstuff.com/product-instructions/).

Alternative Assembly :

Option 2

 <p><b>Part List</b> X 1</p>	 X 2  X 2  X 2 <p><b>Recommended accessories</b></p>
---	---

 <p><b>Tools</b> bender tool</p>	 <p>Gloves</p>	 <p>Safety Glasses</p>
---	---	---

 <p>► S-hooks need to be bent closed completely.</p>	<p><b>Step1</b></p> 	<p><b>Step2</b></p> 		 <p><b>Finish Plan</b></p>
	<p><b>Finish</b></p> 		<p><b>Finish</b></p> 	

By accepting this product you are agreeing to Swing Set Stuff Inc.'s terms and conditions. You can review the terms and conditions at [www.swingsetstuff.com/terms-conditions/](http://www.swingsetstuff.com/terms-conditions/)  
 Product Instructions are provided by the manufacturer for the convenience of the customer. Swing Set Stuff Inc. does not make any representations or warranties about any product instructions that may be included in customer's shipment or downloaded from Swing Set Stuff Inc.'s website. Any such product instruction is made available independent of Swing Set Stuff Inc. A copy of the product instructions can be found on [www.swingsetstuff.com/product-instructions/](http://www.swingsetstuff.com/product-instructions/).