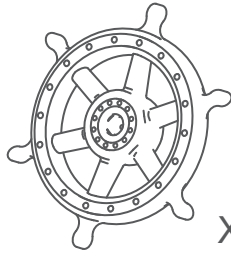


Installation Guide

Playground Ship Wheel (SSS-0230)

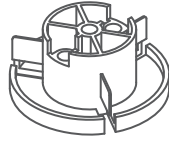
Part List



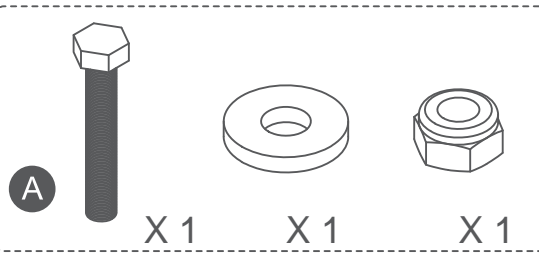
X 1



X 1



X 1

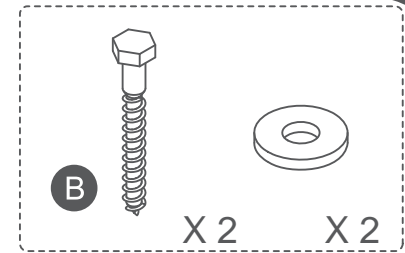


A

X 1

X 1

X 1



B

X 2

X 2

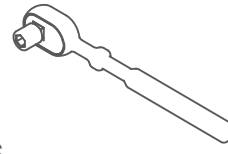
Tools



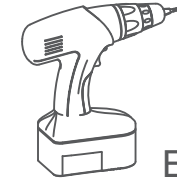
Gloves



Safety Glasses



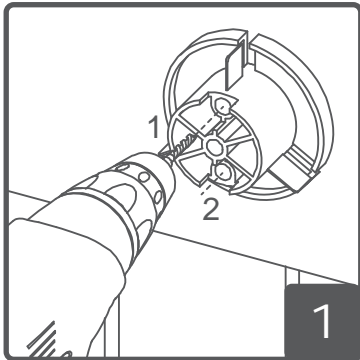
Ratchet



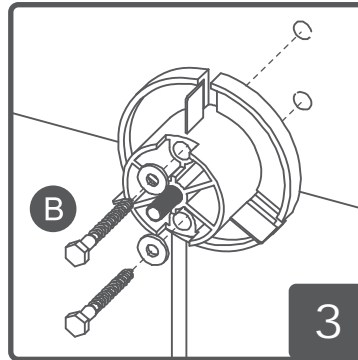
Electric drill



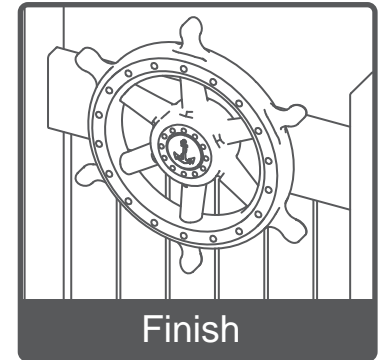
Dia 3.5mm
Drill



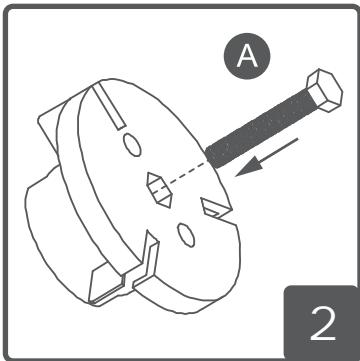
Place the axial bracket and mark the holes for predrilling. Remove the axial bracket and predrill the holes to 25mm depth.



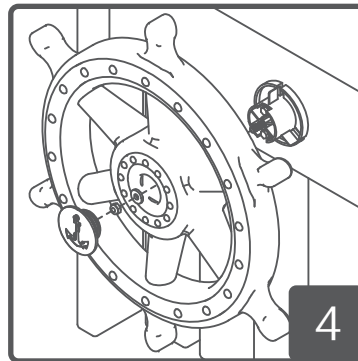
Place the axial bracket and attach with bolt B 2 pcs.



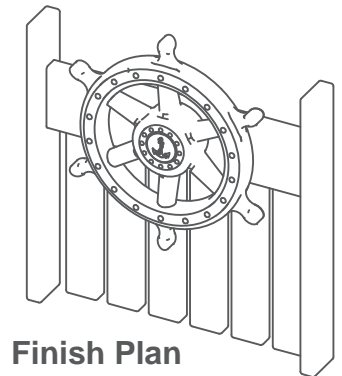
Finish



Place bolt-A in the center of axial bracket.



Place the Ship Wheel on the axial bracket and tighten the nut with washer, lastly press in the center cover.



Finish Plan