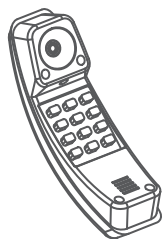


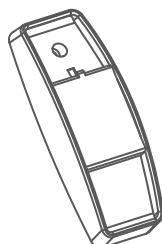
Installation Guide

Playground Plastic Telephone (SSS-0007)

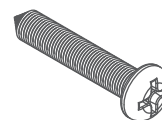
Part List



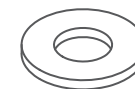
X 1



X 1

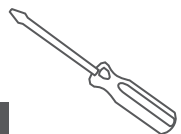


X 1



X 1

Tools



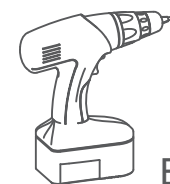
Screwdriver



Gloves



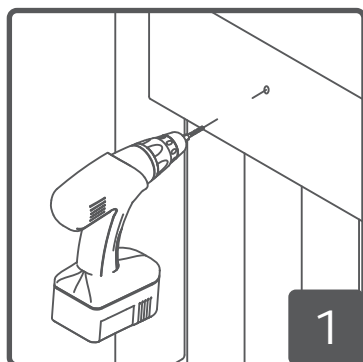
Safety Glasses



Electric drill

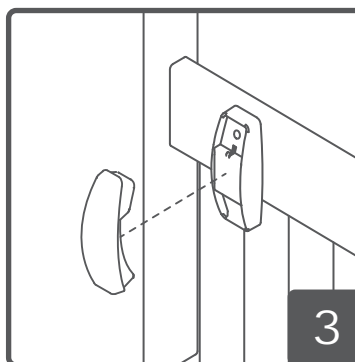


Dia 2 mm
Drill



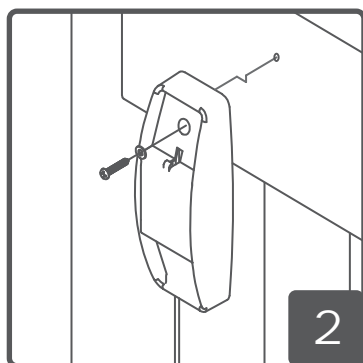
Predrilling one hole
to the board in depth
20mm.

1



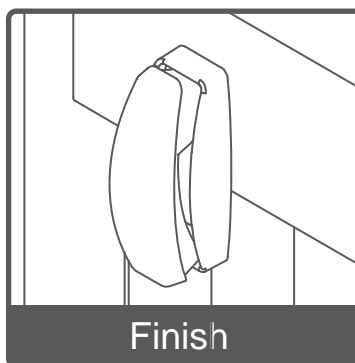
Place the Telephone
to the base.

3

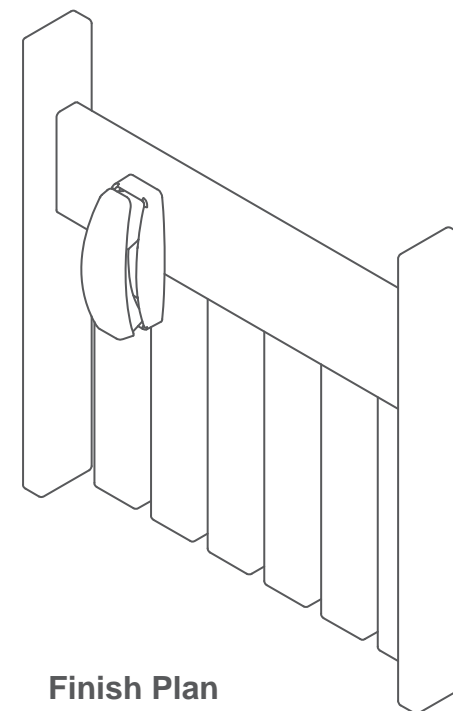


Align the hole in the
base and fasten to
the board with screw
and washer

2



Finish



Finish Plan