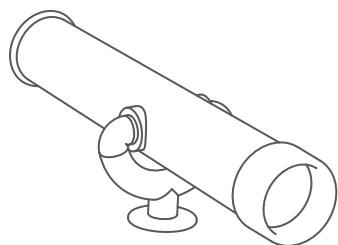


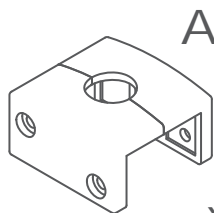
Installation Guide Plastic Telescope (SSS-0006)

Option 1

Part List

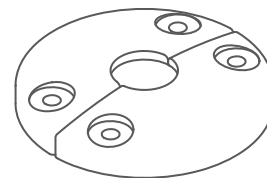


X 1



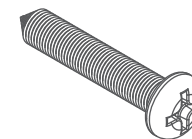
A

X 1



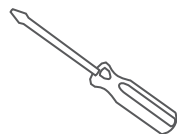
B

X 1



X 4

Tools



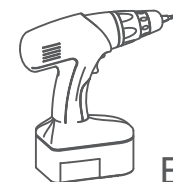
Screwdriver



Gloves



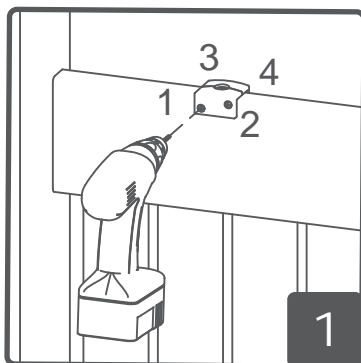
Safety Glasses



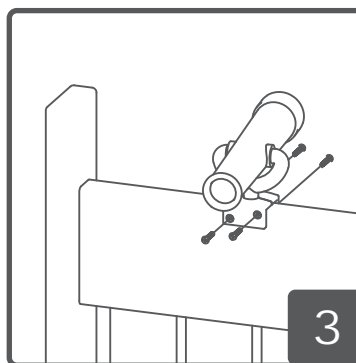
Electric drill



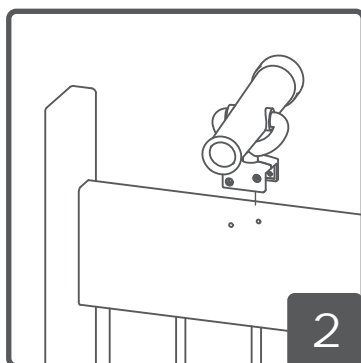
Dia 2 mm
Drill



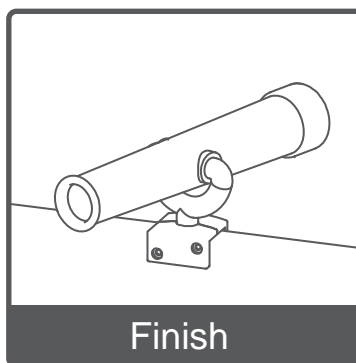
1. Place the bracket-A to the board, mark the holes for predrilling four holes in depth 20mm.



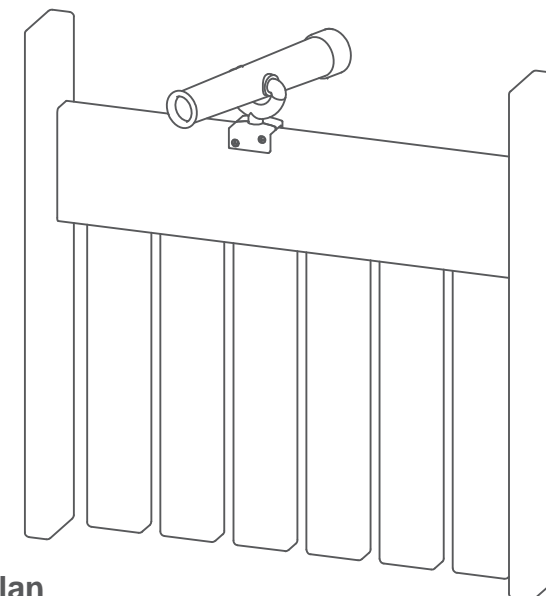
3. Fasten the Telescope and Bracket-A to the board with 4 screws.



2. Place the Telescope and Bracket-A on the board.



Finish

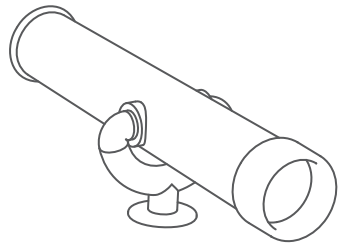


Finish Plan

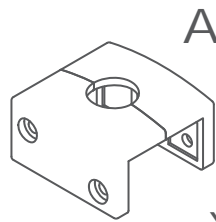
Alternative Assembly :

Option 2

Part List

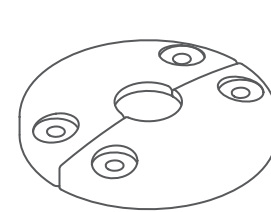


X 1



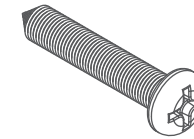
A

X 1



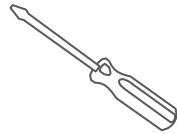
B

X 1



X 4

Tools



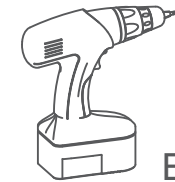
Screwdriver



Gloves



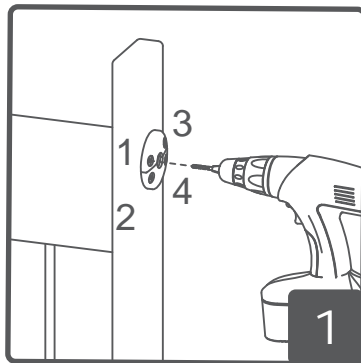
Safety Glasses



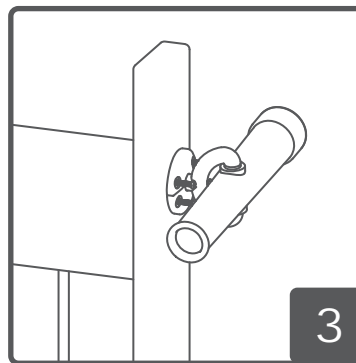
Electric drill



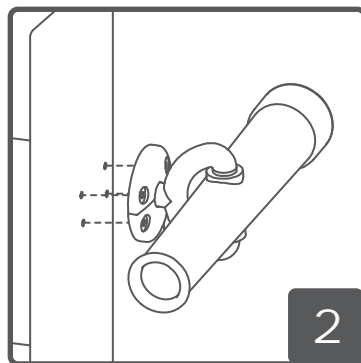
Dia 2 mm Drill



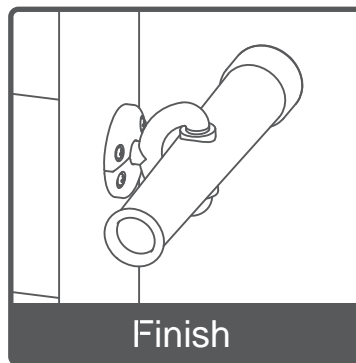
1. Place the bracket-A to the board, mark the holes for predrilling four holes in depth 20mm.



3. Fasten the Telescope and Bracket-A to the board with 4 screws.



2. Place the Telescope and Bracket-B on the board.



Finish

Finish Plan

